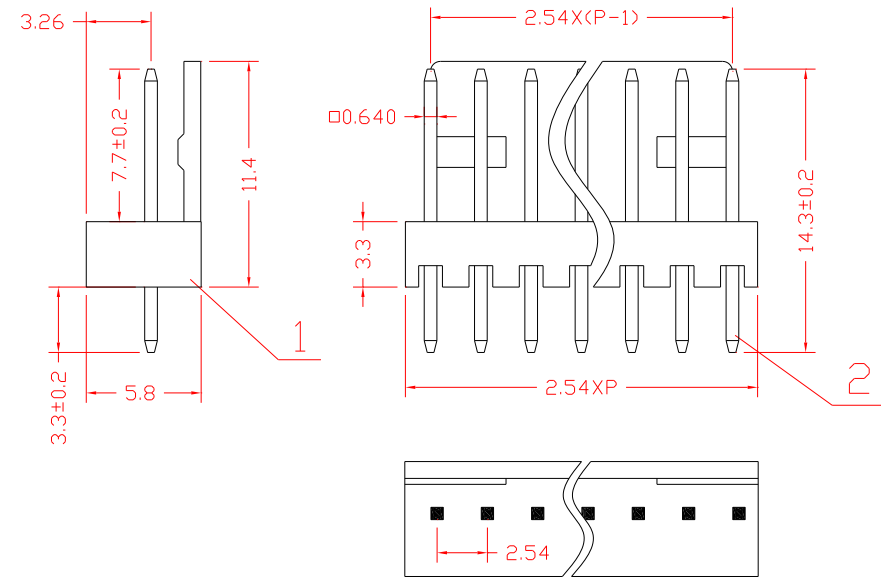


序号/RevNo.	名称/Title	文件编号/File No.
1	137M塑料件	QJ/XYT-11164
2	137M端子(直)	QJ/XYT-11120



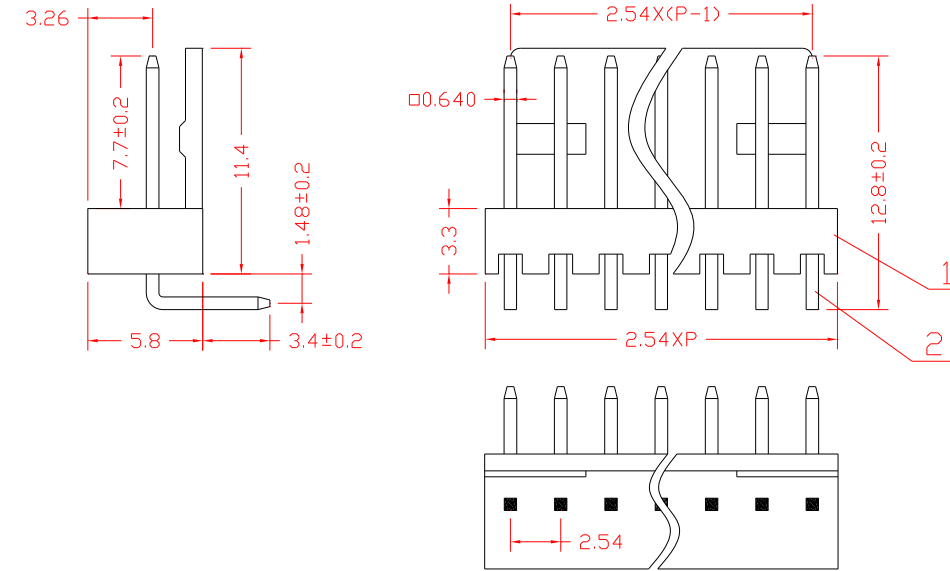
MATERIAL & FINISH
 Insulator Material: Nylon 66(UL 94V-0)
 Contact Material: Brass
 Contact Plated: Tin plated
 Number of contacts: 2 Thru 13

- 要求:
1. 塑料件无裂痕。
 2. 整排针成一直线，相邻针之间相互平行。

设计/Designed by	绘图/Drawing by	审核/Checked by	批准/Approved by	未注公差 General Tolerance
M&E 新亚联合科技 XINYA UNITED TECH CO.,LTD.	137M直针产品图	图名/Title	文件编号/File No.	x. ±0.2 x.' ±2'
		QJ/XYT-12084	QJ/XYT-12084	.x ±0.1 .x' ±1'
		页序/Sheet		.xx ±0.05 .xx' ±0.5 .xxx ±0.01
备注/Remark		单位/Units: mm		

序号/RevNo.	更改记录/Revision note	签名/Signature	日期/Date

序号/RevNo.	名称/Title	文件编号/File No.
1	137M塑料件	QJ/XYT-11164
2	137M端子(弯)	QJ/XYT-11120



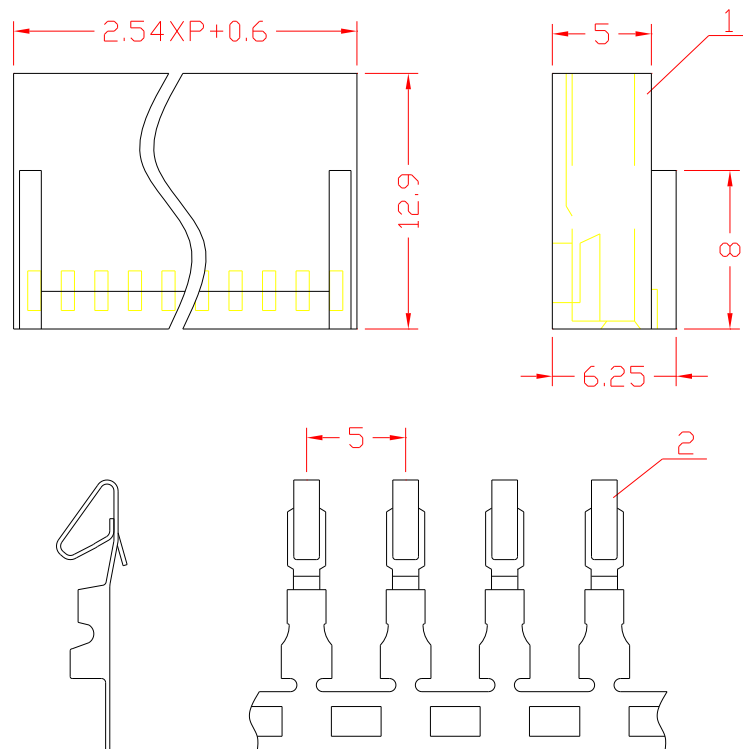
MATERIAL & FINISH
 Insulator Material: Nylon 66(UL 94V-0)
 Contact Material: Brass
 Contact Plated: Tin plated
 Number of contacts: 2 Thru 13

- 要求:
1. 塑料件无裂痕。
 2. 整排针成一直线，相邻针之间相互平行。

设计/Designed by	绘图/Drawing by	审核/Checked by	批准/Approved by	未注公差 General Tolerance
M&E 新亚联合科技 XINYA UNITED TECH CO.,LTD.	137M弯针产品图	图名/Title	文件编号/File No.	x. ±0.2 x.' ±2'
		QJ/XYT-12085	QJ/XYT-12085	.x ±0.1 .x' ±1'
		页序/Sheet		.xx ±0.05 .xx' ±0.5 .xxx ±0.01
备注/Remark		单位/Units: mm		

序号/RevNo.	更改记录/Revision note	签名/Signature	日期/Date

序号/RevNo.	名称/Title	文件编号/File No.
1	137F塑料件	QJ/XYT-11165
2	137F端子	QJ/XYT-11166



MATERIAL & FINISH
 Insulator Material: Nylon 66(UL 94V-0)
 Contact Material: Brass
 Contact Plated: Tin plated
 Number of contacts: 2 Thru 13

设计/Designed by	绘图/Drawing by	审核/Checked by	批准/Approved by	未注公差 General Tolerance
M&E 新亚联合科技 XINYA UNITED TECH CO.,LTD.	137F产品图	图名/Title	文件编号/File No.	x. ±0.2 x.' ±2'
		QJ/XYT-12086	QJ/XYT-12086	.x ±0.1 .x' ±1'
		页序/Sheet		.xx ±0.05 .xx' ±0.5 .xxx ±0.01
备注/Remark		单位/Units: mm		

序号/RevNo.	更改记录/Revision note	签名/Signature	日期/Date