

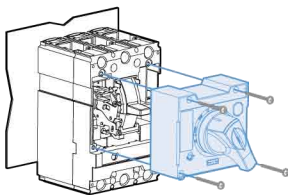
Accessories for TD/TS series up to 800A

Susol

Rotary handles

Rotary handles

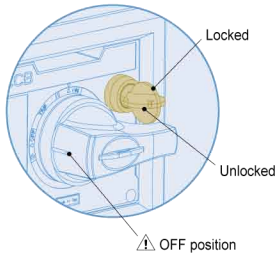
The rotary handle operating mechanism is available in either the direct version or in the extended version on the compartment door. It is always fitted with a compartment door lock and on a request it can be supplied with a key lock in the open position.



Direct rotary handles

Direct rotary handles

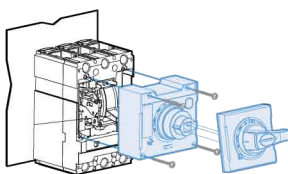
MCCB	Rotary handle
TD100, TD160	DH1
TS100, TS160, TS250	DH2
TS400, TS630	DH3
TS800	DH4



Direct rotary handle with a key lock

Direct rotary handles with a key lock

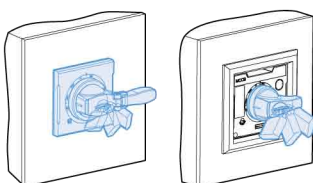
MCCB	Padlockable device	Lock function
TD100, TD160	DHK1	Lock in On or Off position
TS100, TS160, TS250	DHK2	
TS400, TS630	DHK3	
TS800	DHK4	



Extended rotary handles

Extended rotary handles

MCCB	Padlockable device
TD100, TD160	EH1
TS100, TS160, TS250	EH2
TS400, TS630	EH3
TS800	EH4



Padlocks for direct or extended handle

Padlocks can be used to lock the breaker in the ON or OFF position.

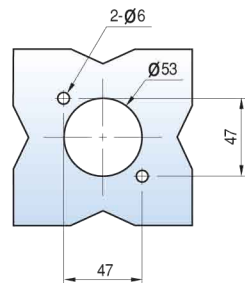
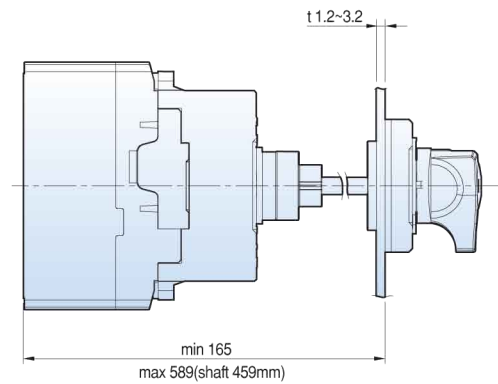
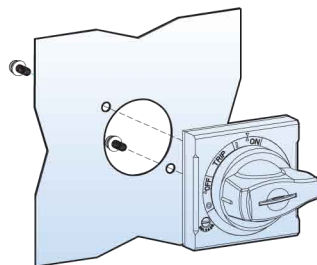
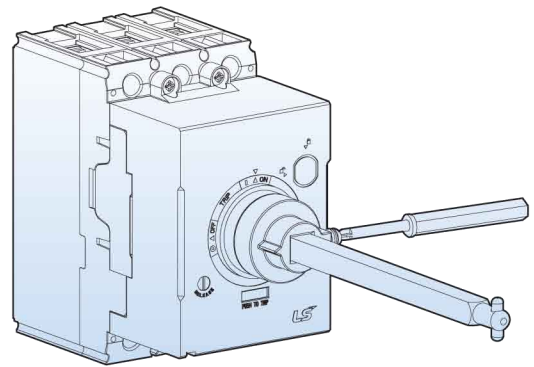
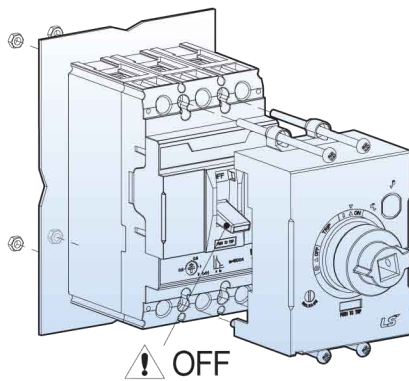
Overall dimensions

Susol

Extended rotary handles

EH1E for TE100/160

[mm]



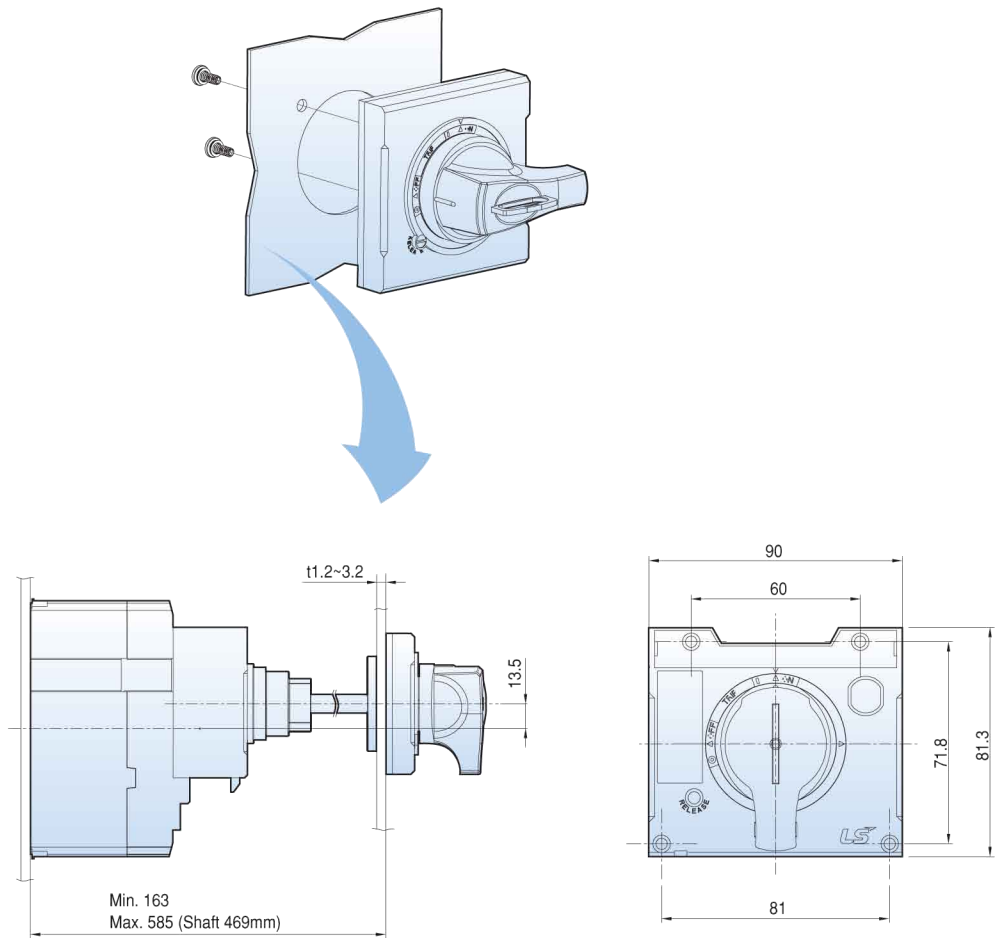
Overall dimensions

Susol

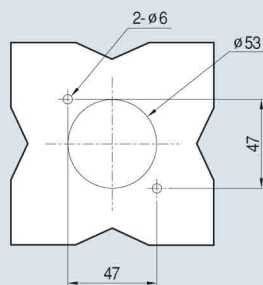
Extended rotary handles

EH1 for TD100/160

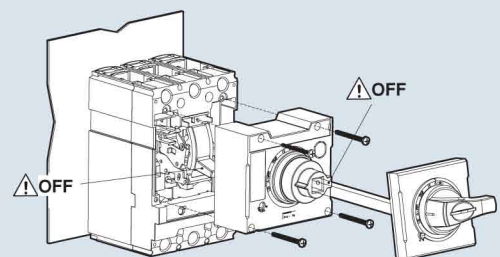
[mm]



Panel drilling



Way of installation



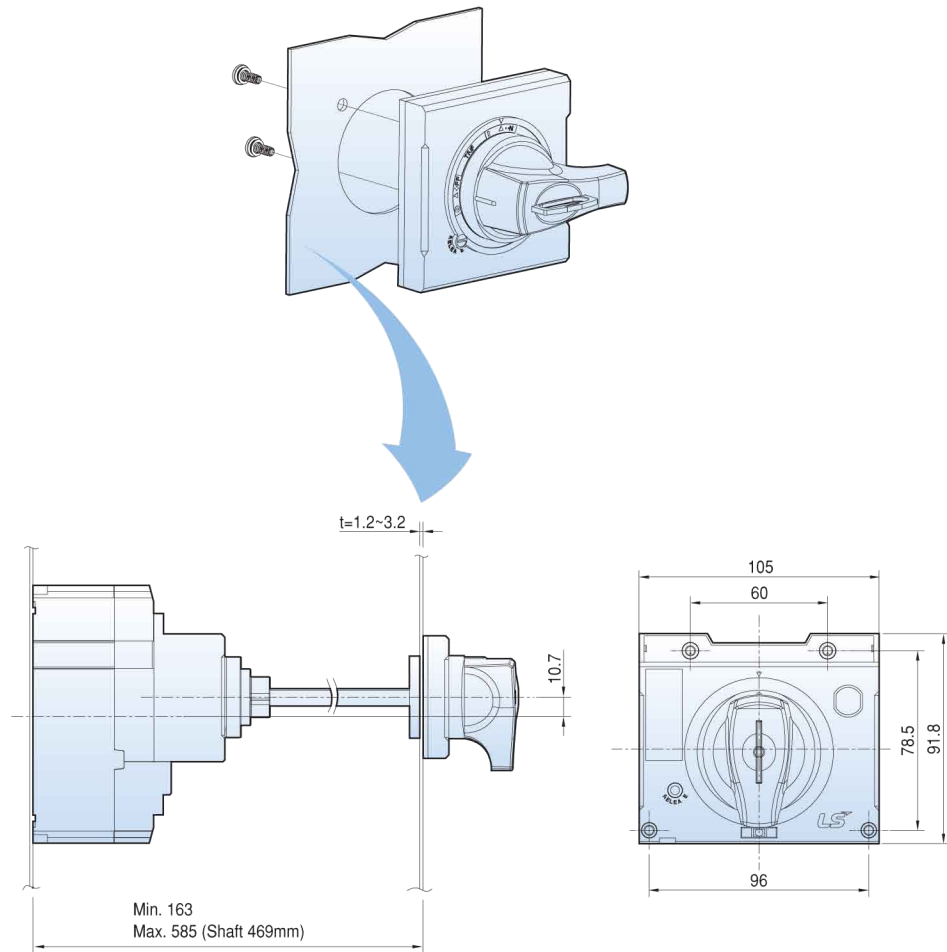
Overall dimensions

Susol

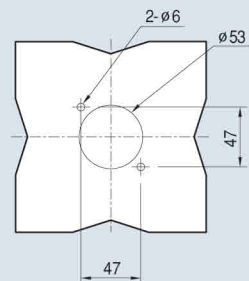
Extended rotary handles

EH2 for TS100/160/250

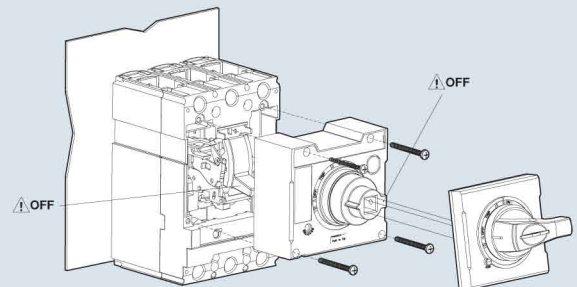
[mm]



Panel drilling



Way of installation



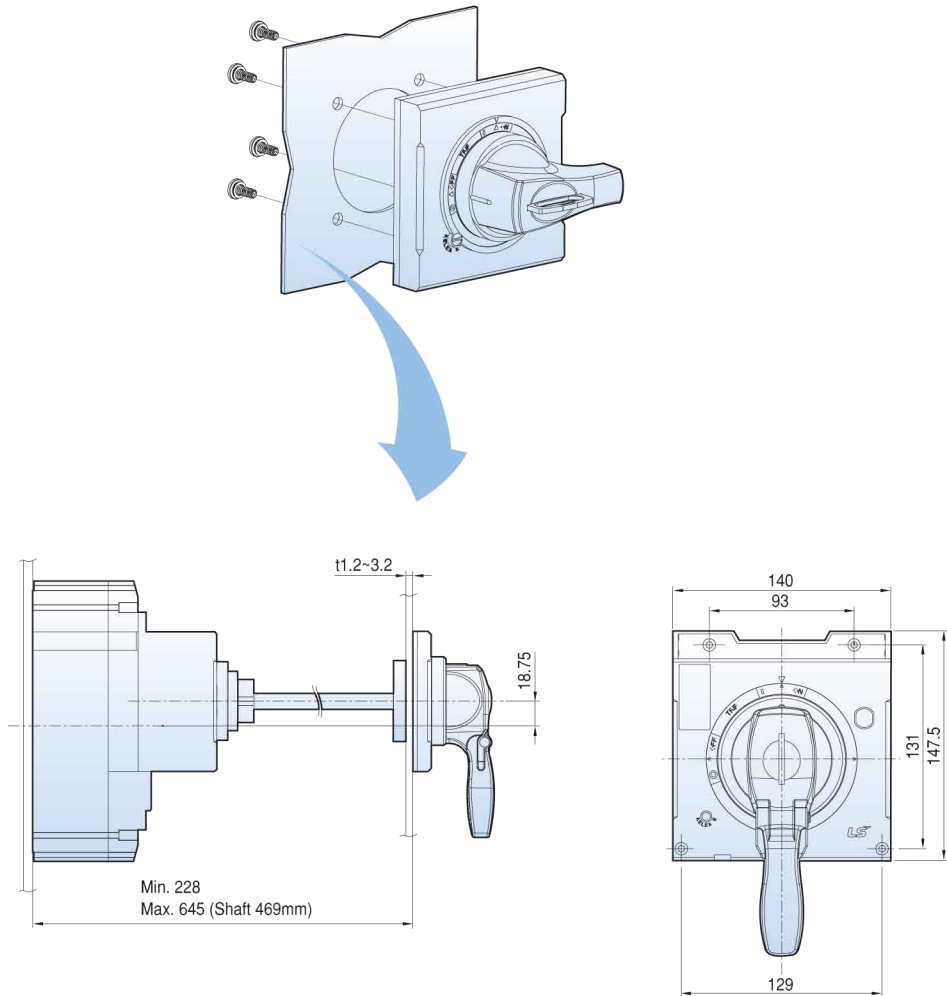
Overall dimensions

Susol

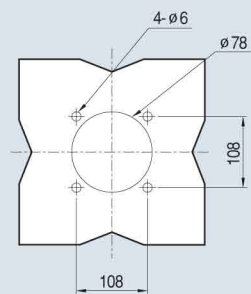
Extended rotary handles

EH3 for TS400/630

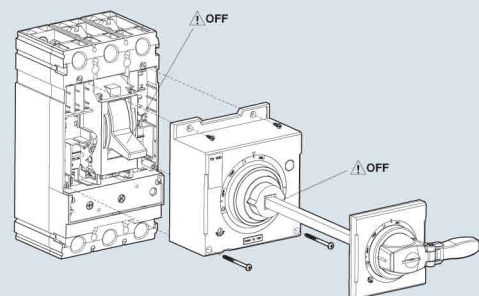
[mm]



Panel drilling



Way of installation



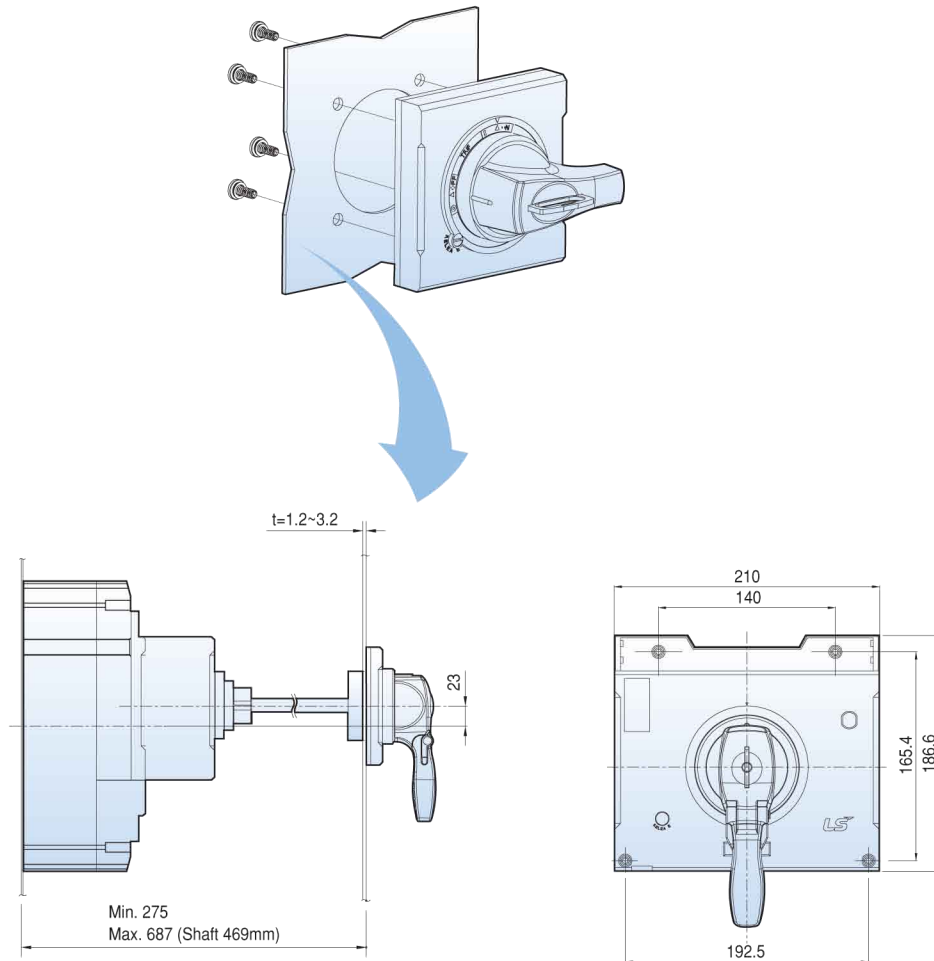
Overall dimensions

Susol

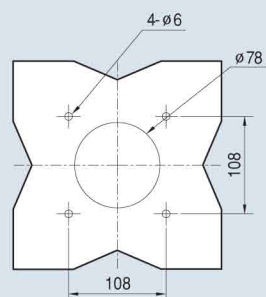
Extended rotary handles

EH4 for TS800

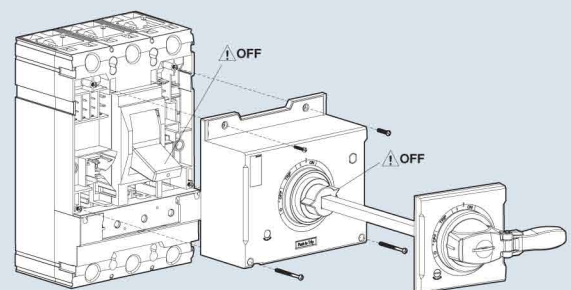
[mm]



Panel drilling



Way of installation

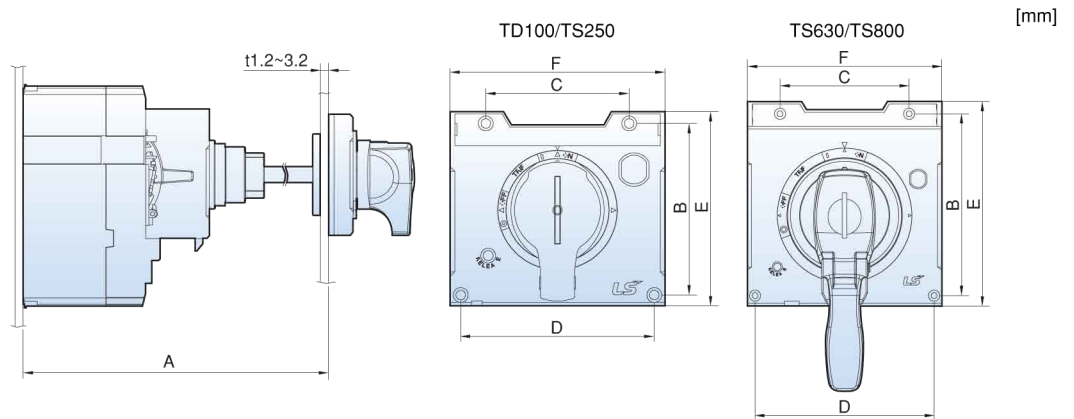


Overall dimensions

Susol

Extended rotary handles

Dimension table for E-handles



Model	EH1	EH2	EH3	EH4
Applicable to	TD160	TS250	TS630	TS800
A (mm)	Min. 163	Min. 163	Min. 228	Min. 275
	Max. 585	Max. 585	Max. 645	Max. 687
B (mm)	71.8	78.5	131	165.4
C (mm)	60	60	93	140
D (mm)	81	96	129	192.5
E (mm)	81.3	91.8	147.5	186.6
F (mm)	90	105	140	210
Shaft (mm)	469	469	469	469