

# G16 Series Voltmeter/Ammeter Manual Changeover Rotary Cam Switch

## PRODUCT DETAIL

G16 Series Universal changeover switch mainly used for AC 50Hz, rated voltage up to 380V and below, rated current to 160A electrical circuit for manually infrequent making or breaking the circuit for the purposes of control and conversion ,can also controlling three-phase asynchronous motors and circuit directly as the purposes of master control and measurement. The products widely used, instead of the various national switch, can be used as the circuit control switch, measuring equipment switches, motor control switches and the master control switch, and welding machine switch and so on. Compliance with standards: The changeover switch use to the main circuit switching and direct control comply with GB14048.3-2001.

The changeover switch use to master control comply with GB14048.5-2001and IEC 60947.3.

Mechanical life: 20 thousand times,operation frequency is 120 times/hour.

Electrical life: 10 thousand times,operation frequency is 120 times/hour.

The ambient air temperature is not more than +40°C,and the average temperature of 24h degree not exceeding +35°C.

The minimum temperature of ambient air is -25°C.

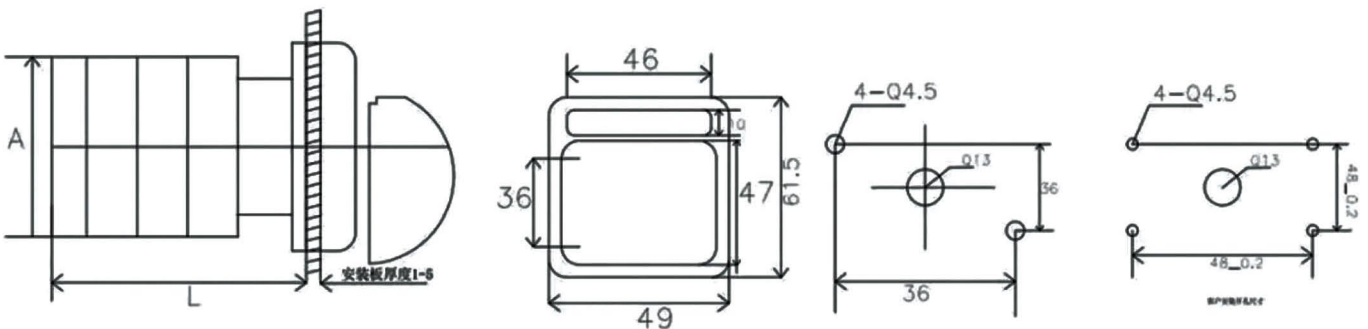
Installation site altitude not exceeding 2000m.

When the maximum temperature is +40°C,the relative humidity of the air is not more than 50%,higher relative humidity.

Can be allowed at lower temperatures,such as 90% to reach 20°C.

The pollution level of the surrounding environ merit is 3rd grade.

Switch can be installed in any in denied position of the occasion.



model	Ith A	Ui V	Ue V	AC-21A	AC-22A	AC-23A		AC-2		AC-3		AC-4		AC-15	DC-13	
				le A	le A	le A	P kW	le A	P kW	le A	P kW	le A	P kW	le A	le A	
G16	20	660	440	20	20	15	7.5	15	7.5	11	5.5	3.5	1.5	4		
			240											5	1	
			120													5
			440	25	25	22	11	22	11	15	7.5	6.5	3	5		