

## SAFETY SWITCHES FOR HINGES LIDS/GUARDS

### Features

- Galvanically separated contacts
- Screw terminals with self-lifting clamps for easy wiring
- Positive Opening of NC contacts
- 4 x 90° actuator positions

### Definitions of Operating Characteristics

- OF Operating Force
- RF Releasing Force
- OT Overtravel
- TT Total Travel
- PT Pretravel
- MD Movement Differential
- OP Operating Position
- PO Travel to Positive Opening

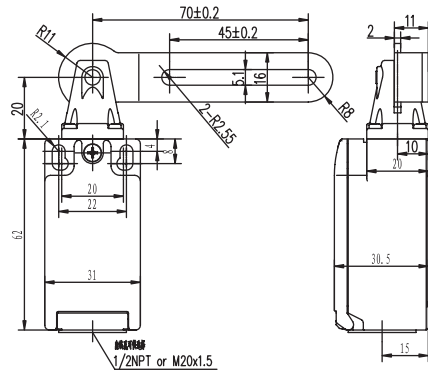
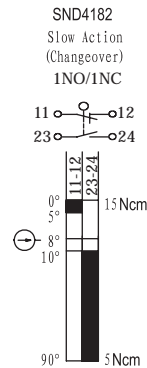


### Specifications

Operating Speed	0.05mm-2m/sec
Operating Frequency	Mechanical: 120ops/min Electrical: 30 ops/min
Insulation Resistance	>100MΩ@500V DC
Contact Resistance	<25mΩ (initial value)
Rated Current/Voltage	10A/600V AC (EN60947-5-1) AC15 A600 / DC13 Q300
Dielectric Strength	1000VAC for 1 min between current carrying parts 2500VAC for 1 min between non-current carrying parts
Service Life	Mechanically 1.0 x 10 <sup>7</sup> (operations) Electrically 5 x 10 <sup>5</sup> (operations)
Operating Temperature	-25~+80°C (-13~176°F)
Humidity	< 95%RH
Degree of Protection	IP65/ IP67

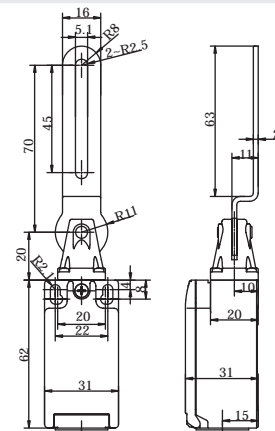
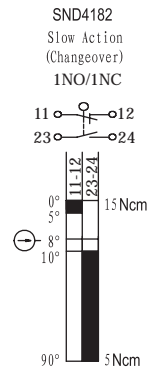
### PLASTIC-BODIED Safety Switch

#### SND4182



Order Code      Contact block  
SND4182-SL      SL slow action      1NO+1NC      BBM

#### SND4182-S



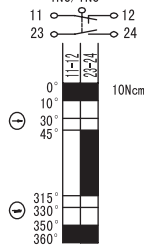
Order Code      Contact block  
SND4182-SL- S      SL slow action      1NO+1NC      BBM

## SAFETY SWITCHES FOR HINGES LIDS/GUARDS

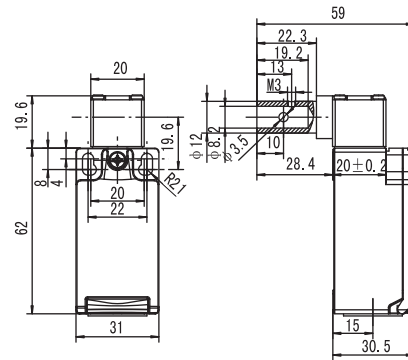
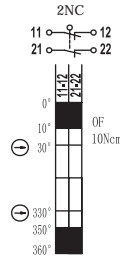
**SND4181**



**SND4181-SL**  
Slow Action  
(Changeover)



**SND4181-SL2**  
Slow Action

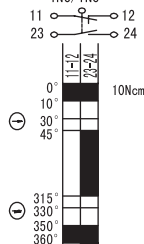


Order Code	Contact block		
SND4181-SL-	SL	⊕	slow action 1NO+1NC BBM
SND4181-SL2-	SL2	⊕	slow action 2NC

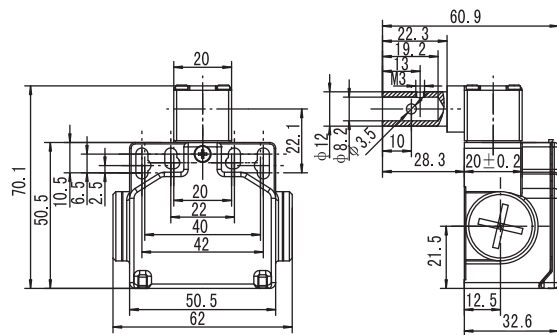
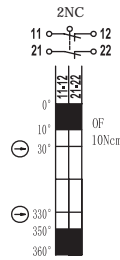
**SND2181**



**SND2181-SL**  
Slow Action  
(Changeover)



**SND2181-SL2**  
Slow Action

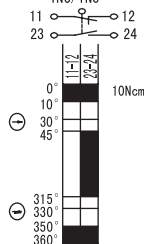


Order Code	Contact block		
SND2181-SL-	SL	⊕	slow action 1NO+1NC BBM
SND2181-SL2-	SL2	⊕	slow action 2NC

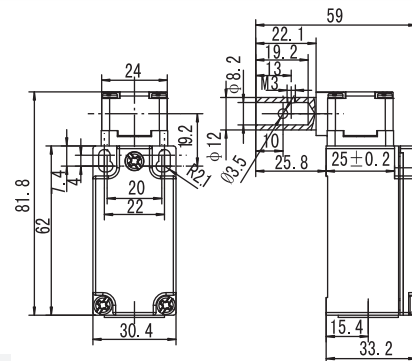
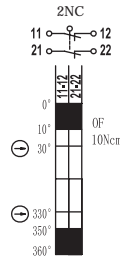
**SN4181**



**SN4181-SL**  
Slow Action  
(Changeover)



**SN4181-SL2**  
Slow Action

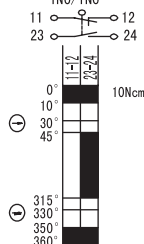


Order Code	Contact block		
SN4181-SL-	SL	⊕	slow action 1NO+1NC BBM
SN4181-SL2-	SL2	⊕	slow action 2NC

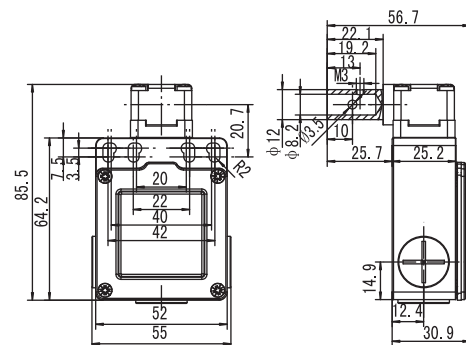
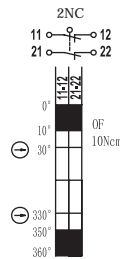
**SN2181**



**SN2181-SL**  
Slow Action  
(Changeover)



**SN2181-SL2**  
Slow Action



Order Code	Contact block		
SN2181-SL-	SL	⊕	slow action 1NO+1NC BBM
SN2181-SL2-	SL2	⊕	slow action 2NC