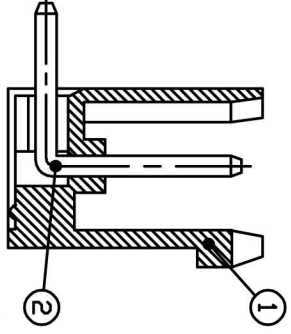
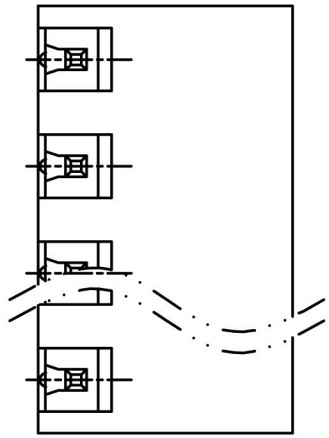
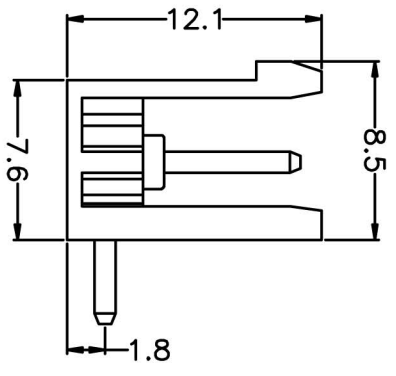
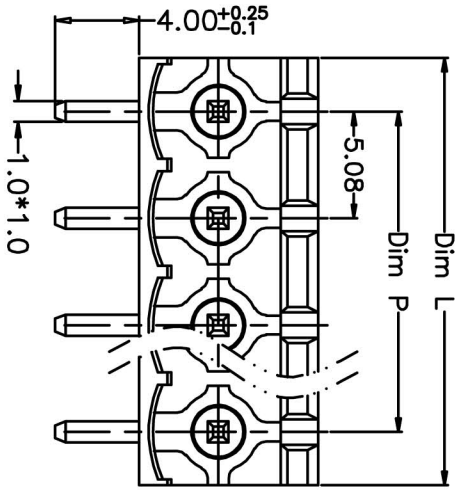


| REV. | DESCRIPTION | DATE      | DRAWN | APPROVED |
|------|-------------|-----------|-------|----------|
| A1   | DMG.REL     | 2016/10/7 | FANG  | YANG     |



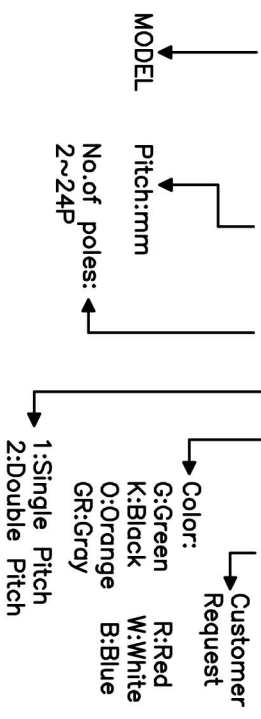
- Material  
 ○Housing : PA66, UL94V-0  
 ○Pin header : Brass, Tin plated

- Electrical  
 UL IEC  
 Rated voltage : 300V 320V  
 Rated current : 15A 20A  
 Insulation resistance: 500MΩ/DC500V  
 Withstanding Voltage : AC2000V/1min

- Mechanical  
 Operating temperature: -40°C ~ +105°C  
 Soldering temperature: 250°C ± 5 / 5sec

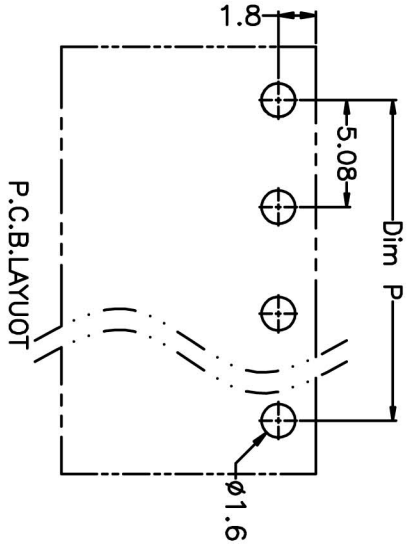
HOW TO ORDER

KF2EDGR-X-5.08-XXP-1 X-XXXXX



N=Number of Poles  
 Dim P=(N-1)x5.08  
 Dim L=Nx5.08

| Poles  | Dim P | Dim L |
|--------|-------|-------|
| 2-6P   | ±0.10 | ±0.15 |
| 7-12P  | ±0.20 | ±0.20 |
| 13-18P | ±0.25 | ±0.30 |
| 19-24P | ±0.30 | ±0.40 |



| GENERAL TOLERANCE |      | ANGLE TOLERANCE |     |
|-------------------|------|-----------------|-----|
| X                 | ±0.5 | X'              | ±5' |
| X                 | ±0.3 | X'              | ±3' |
| .XX               | ±0.1 | .XX'            | ±1' |

| DRAWING TYPE | CUSTOMER       |
|--------------|----------------|
| SCALE        | 1:1            |
| DRAWING NO.  | XP0012016-xxxx |

| PROJECTION     | TITLE              |
|----------------|--------------------|
| UNITS: mm      | KF2EDGR-X-5.08-XXP |
| SHEET SIZE: A4 | SERIES: KF2EDGR-X  |