

1 2 3 4 5 6 7 8

A

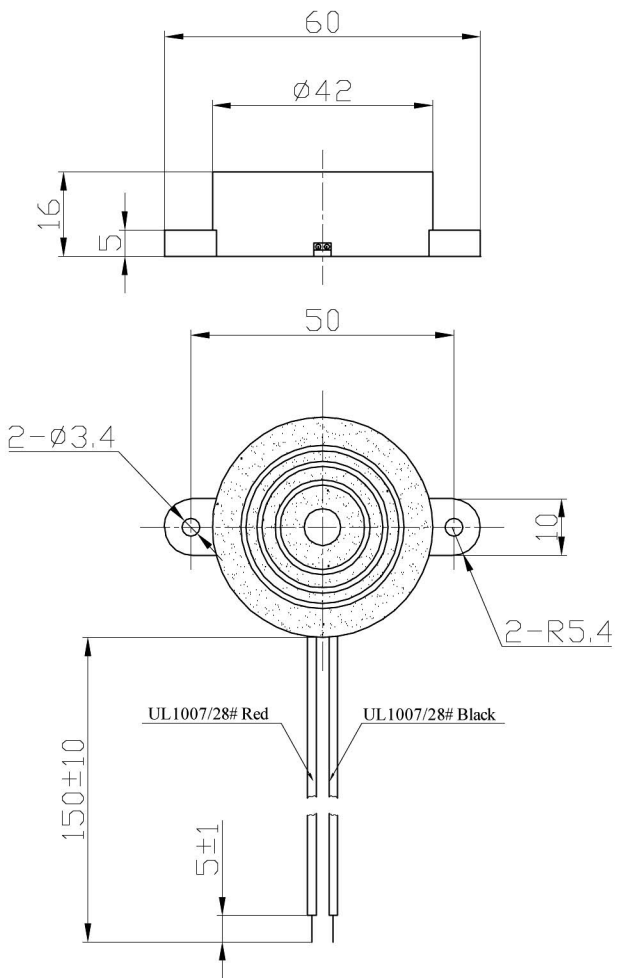
B

C

D

E

F



SPECIFICATION

- 1. Rated Voltage12VDC
- 2. Operating Voltage3~20VDC
- 3. Max. Rated Current12mA at 12VDC
- 4. Resonant Frequency2.8±0.5KHz
- 5. Min. Sound Pressure Level.....98dB at 12VDC/30cm
- 6. Tone NatureContinuous
- 7. Case MaterialABS/Black
- 8. Operating Temperature-20~+60℃
- 9. Store Temperature-30~+70℃
- 10. Weight13g
- Red(红)Positive(+)
- Black(黑)Negative(-)

				Piezo Buzzer	
				KPI-G4211L	
No.	DESCRIPTION	APPROVED	DATE		
TOLERANCES UNLESS NOTED OTHERWISE		APPROVALS		DATE	
X +		DRAWN 彭清风			
XX ±		CHECKED 陈慧胜			
XXX -		APPROVED 梁树棠		09.03.21	
90° FORMED +2°				UNIT	DWG NO.
ANGLES -1°		FIRST ANGLE PROJECTION		mm	KP3.840.093R
				SCALE	SHEET
				NOT TO SCALE	VER 1.4

1 2 3 4 5 6 7 8