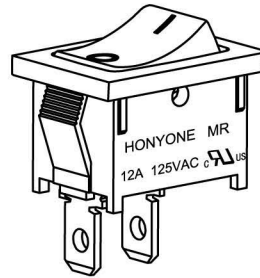
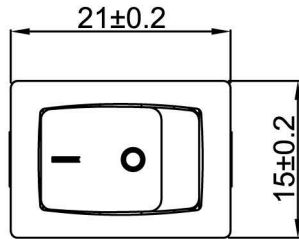
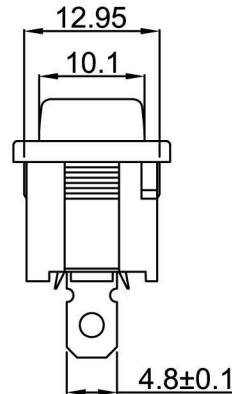
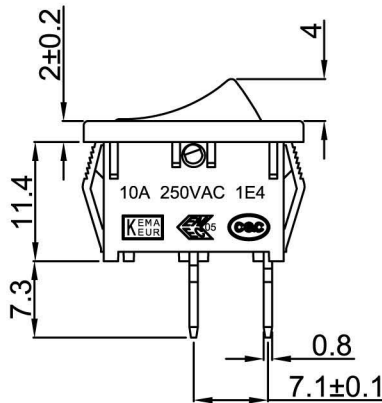


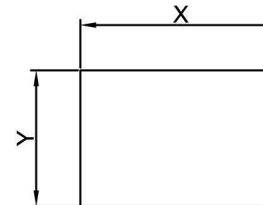
MR-1



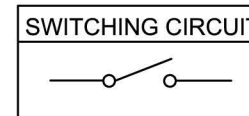
Rating: 12A 125VAC(UL / CUL)
 10A 250VAC(CQC / ENEC/CB)
 Contact Resistance: 50mΩ max
 Insulation Resistance: DC 500V 100MΩ min.
 Dielectric Strength: AC 1500V 1 minute
 Operating Force: 350±100gf
 Mechanical Life: Over 30,000 cycles
 Electrical Life: Over 10,000 cycles
 Operating Temperature: -25°C ~ 85°C
 Safety Approval:



CUT-OUT



	X	Y
0.75~1.25	19.2-0.1	113.0+0.1
1.25~2.00	19.4-0.1	113.0+0.1
2.00~3.00	19.8-0.1	113.0+0.1



MR-1-110-C5N-BB
 01.086.0146

MATERIAL:

Body: Nylon66, UL rated: 94V-2 min.
 Actuator: Nylon66, UL rated: 94V-2 min.
 Terminal: Brass, silver or tin plated