

Accessories for TD/TS series up to 800A

Susol

Plug-in device

Plug-in device

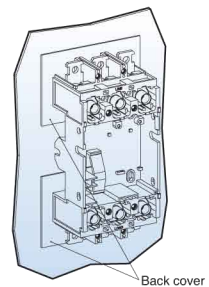
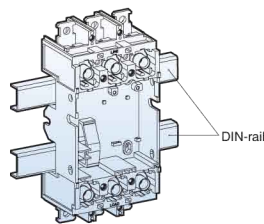
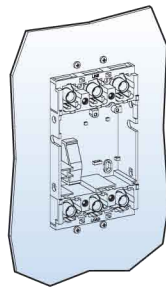
The plug-in base is the fixed part of the plug-in version of the circuit-breaker. It will be installed directly on the back plate of panel.

The circuit-breaker is racked out by unscrewing the top and bottom fixing screws. Plug-in base makes it possible to extract and/or rapidly replace the circuit breaker without having to touch connections for ship and important installations.

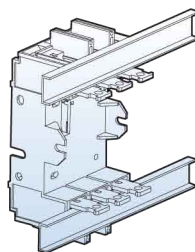
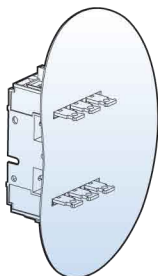


MCCB	Pole	Arrangement	Type	Means
TD100, TD160	2	Single line	PB12	
	3	Single line	PB13	
	4	Single line	PB14	
	2	Double line	PB12D2	For distribution board
	3	Double line	PB13D2	For distribution board
TS100, TS160, TS250	2	Single line	PB22	
	3	Single line	PB23	
TS400, TS600	2	Single line	PB32	
	3	Single line	PB33	
TS800	2	Single line	PB42	
	3	Single line	PB43	

Front connection



Rear connection



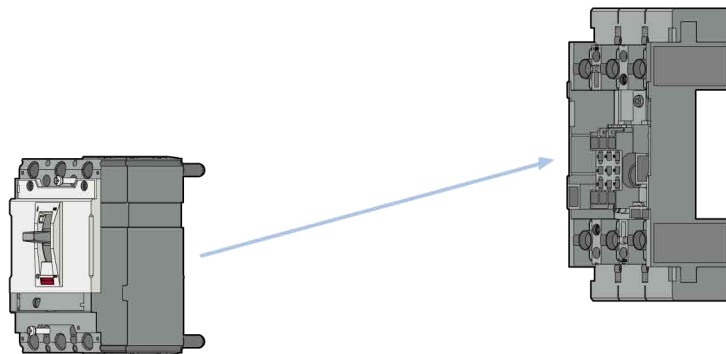
Accessories for TD/TS series up to 800A

Susol

Plug-in system

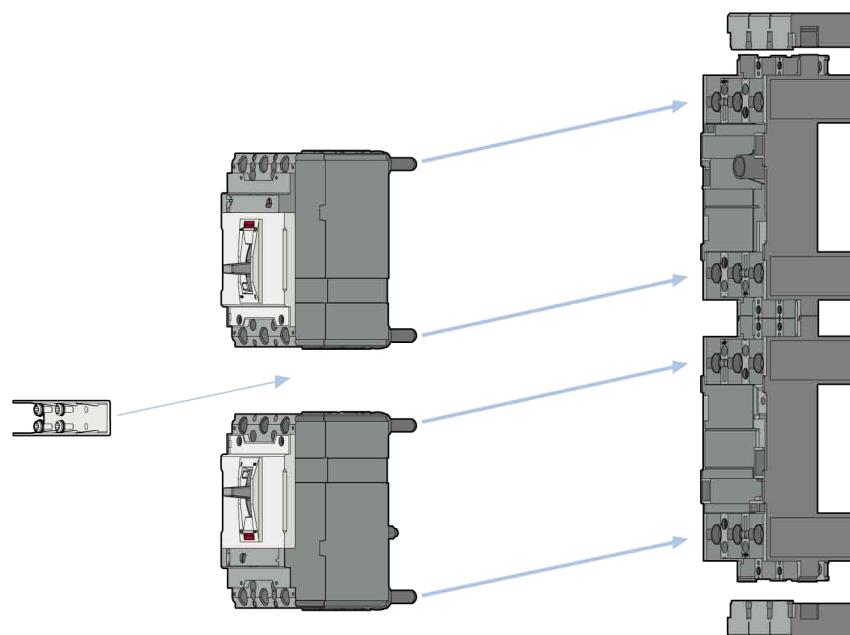
Normal type Plug-in MCCB: PB□ type

- MCCB rating: TD100~TS800
- generally used in switchgears



Double-row type Plug-in MCCB: PB□ D2 type

- MCCB rating: TD100, 160
- generally used in branch circuits



Accessories for TD/TS series up to 800A

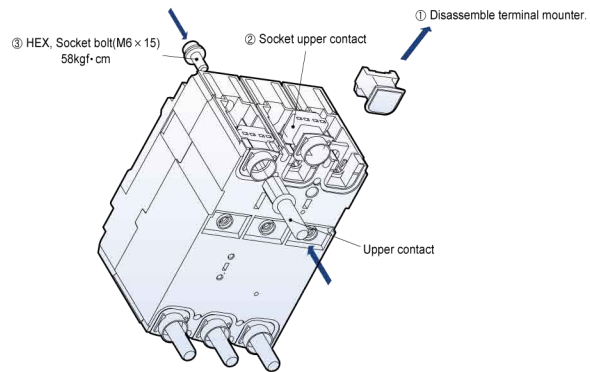
Susol

Plug-in device

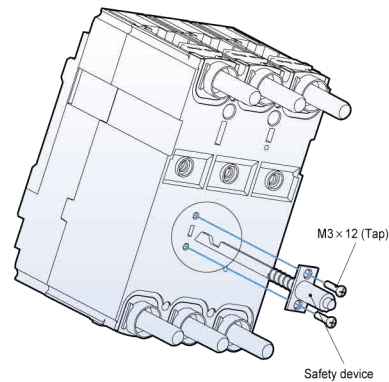
Assembling procedure

TD100, TD160

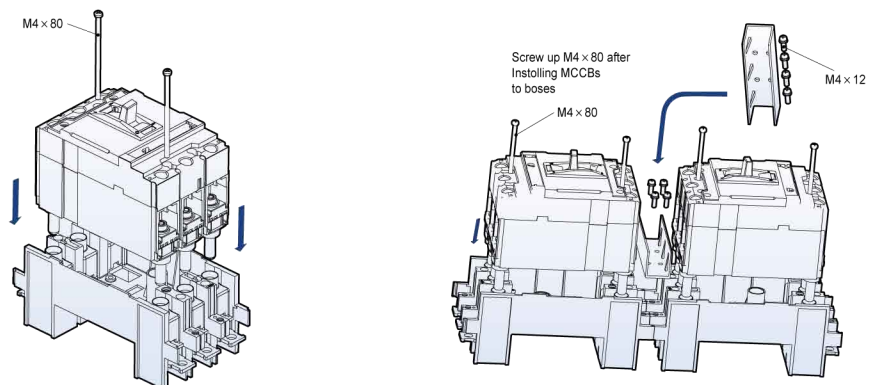
1. Conversion to Plug-in MCCB



2. Assembling safety device



3. Assembling MCCB and plug-in device



Accessories for TD/TS series up to 800A

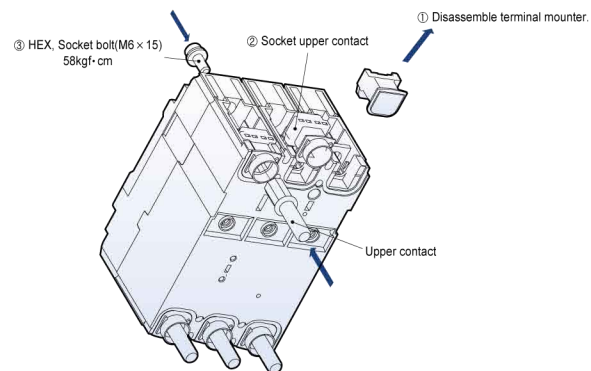
Susol

Plug-in device

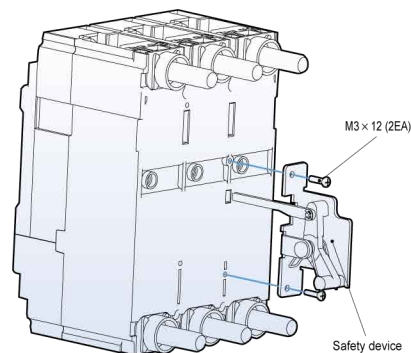
Assembling procedure

TS100, TS160, TS250

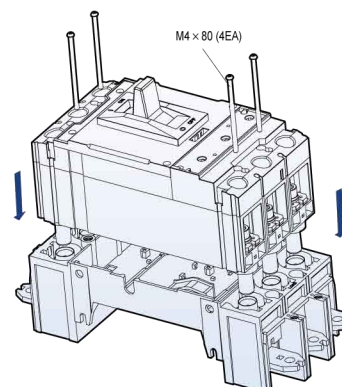
1. Conversion to Plug-in MCCB



2. Assembling safety device



3. Assembling MCCB and plug-in device



Accessories for TD/TS series up to 800A

Susol

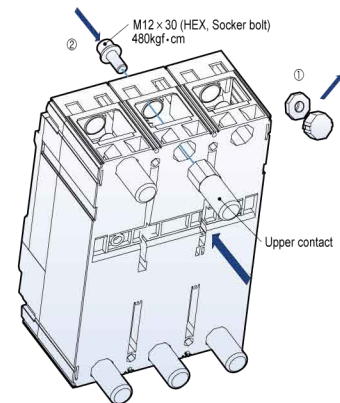
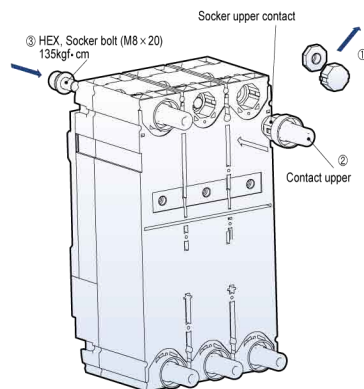
Plug-in device

Assembling procedure

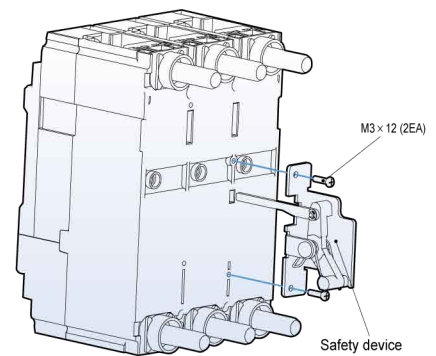
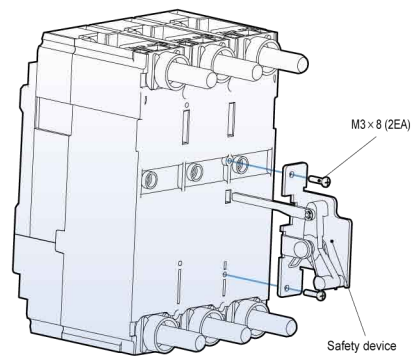
TS400, TS630

TS800

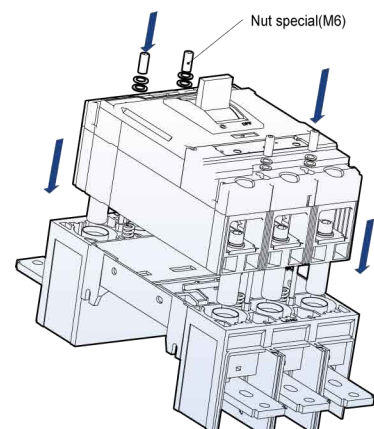
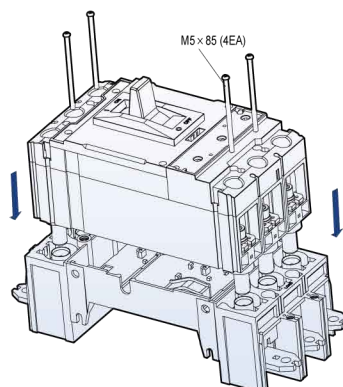
1. Conversion to Plug-in MCCB



2. Assembling safety device



3. Assembling MCCB and plug-in device



Accessories for TD/TS series up to 800A

Susol

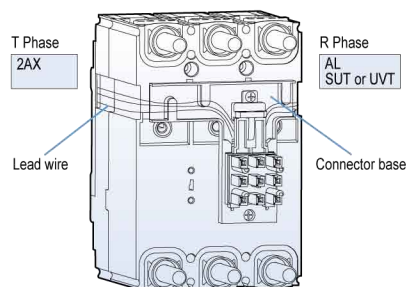
Connector KIT

Electric auxiliary circuit (AX, AL, SHT, UVT) from Breaker via one to three connector KIT (nine wires each). These are made of moving part on Breaker and fixed part on plug-in base up to 800AF.

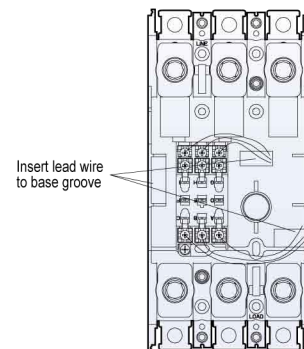
Breaker Max.	Q'ty	Fixed part	Moving part
TD160	1	SPARE PART ASS'Y, CONNECTOR KIT, TD160	SPARE PART ASS'Y, BASE CONNECTOR, TD160
TS250	2	SPARE PART ASS'Y, CONNECTOR KIT, TS250	SPARE PART ASS'Y, BASE CONNECTOR, TS250
TS400/630	3	SPARE PART ASS'Y, CONNECTOR KIT, TS400/630	SPARE PART ASS'Y, BASE CONNECTOR, TS630
TS800	3	SPARE PART ASS'Y, CONNECTOR KIT, TS800	SPARE PART ASS'Y, BASE CONNECTOR, TS800

TD160

Moving part

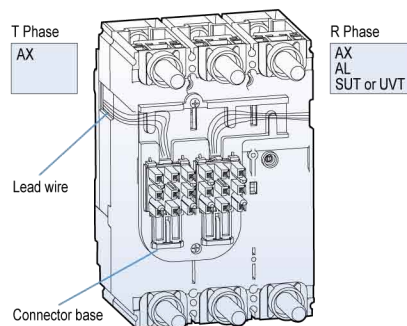


Fixed part

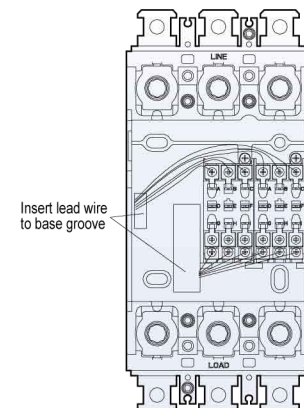


TS250

Moving part



Fixed part



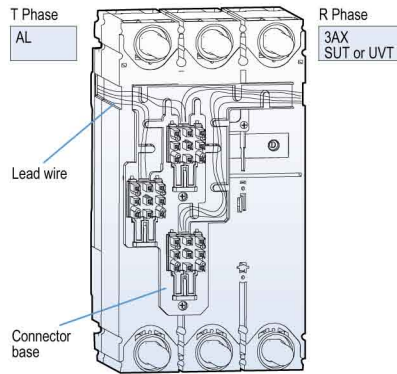
Accessories for TD/TS series up to 800A

Susol

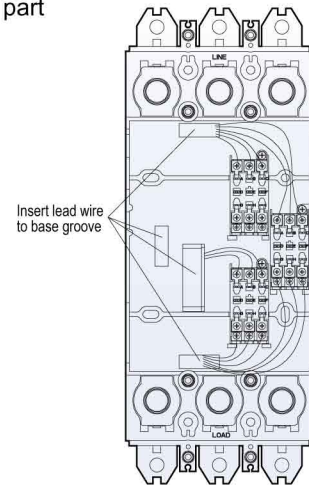
Connector KIT

TS400/630

Moving part

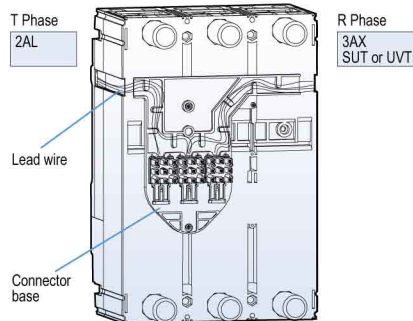


Fixed part

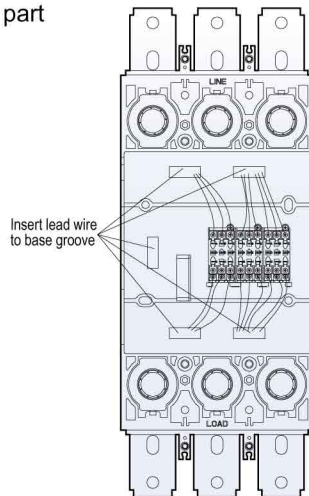


TS800

Moving part

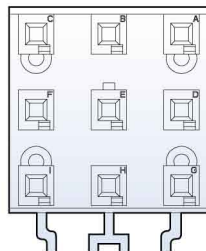


Fixed part



Read wire color

Moving part

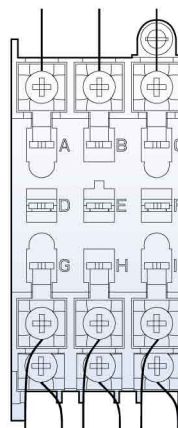


Lead wire color

A: Red	B: White	C: Black
D: Blue	E: Yellow	F: Green
G: Gray	H: Orange	I: Brown

Note) Useless lead wires should be ended for Preventing an electric accident.

Fixed part



Lead wire color

A: Red	B: White	C: Black
D: Blue	E: Yellow	F: Green
G: Gray	H: Orange	I: Brown

Note) Useless lead wires should be ended for Preventing an electric accident.

- To connect AL and FAL solder the wire and insulates the wire

