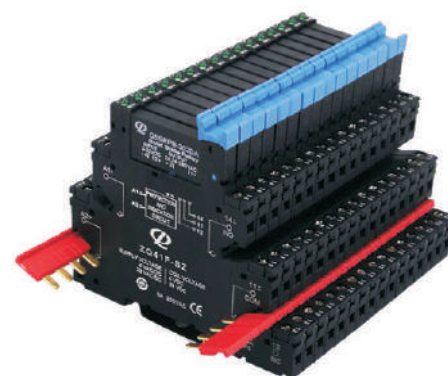


## Features

- ★ 5mm Mini SIP SSR
- ★ Ratings 2A and 6A
- ★ DC Control, 5, 12 and 24V
- ★ CE & RoHS Compliant
- ★ Mechanical life Semipermanent
- ★ Small size ,low power



## Specification

**Q SSRE -3 02 DA 24**

ZQ type

Circuit board type solid state relay

Output voltage 3:24-280VAC 6:5-60VDC

Output current 02:2A , 06:6A

DA:DC control AC  
DD:DC control DC

Control voltage 12:5-15VDC, 24:12-32VDC

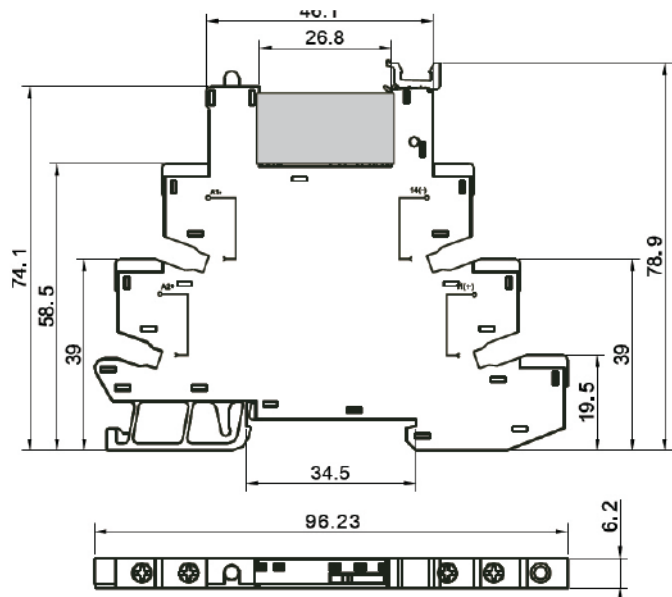
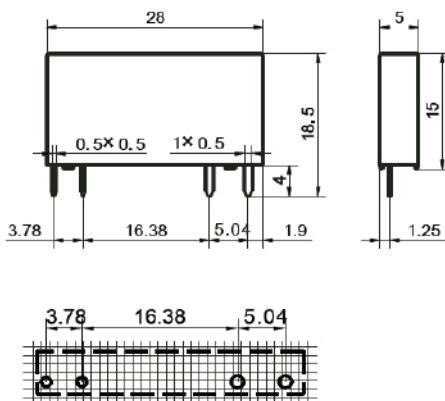
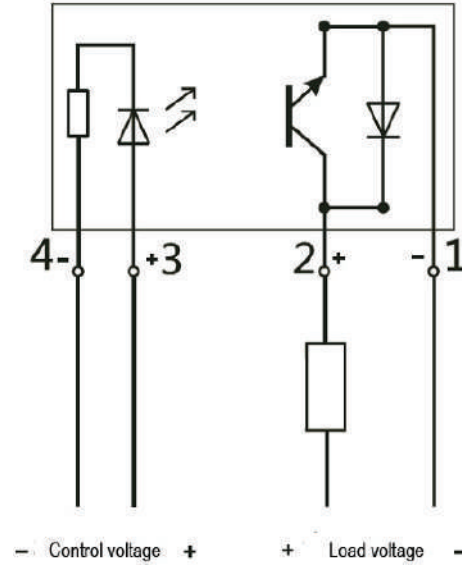
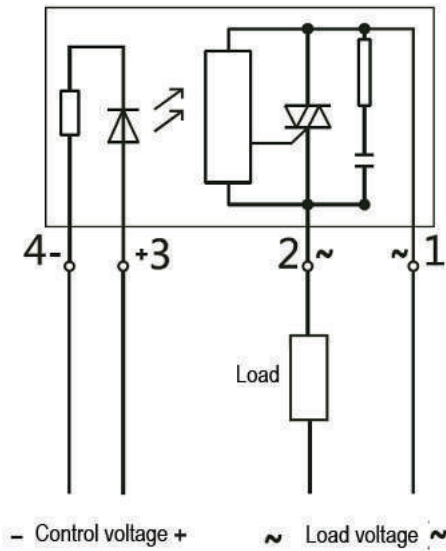
## PRODUCT SELECTION

Control Voltage	2A	2A	6A	6A
3-8VDC	QSSRE-302DA05	QSSRE-602DD05	QSSRE-306DA05	QSSRE-606DD05
8-15VDC	QSSRE-302DA12	QSSRE-602DD12	QSSRE-306DA12	QSSRE-606DD12
15-30VDC	QSSRE-302DA24	QSSRE-602DD24	QSSRE-306DA24	QSSRE-606DD24

## Technical Parameter

Control Voltage	05:3-8VDC,12:8-15VDC,24:15-30VDC	
Control Current	6-15mA	
Make-on Voltage	3VDC,8VDC,15VDC	
Break-off Voltage	1VDC,3VDC,5VDC	
Load Voltage	3:24-280VAC	6:5-60VDC,10:5-80VDC
Load Current	2A,6A	
Instant Voltage	90VAC	6:60VDC,10:80VDC
Voltage Drop in On	< 1.6VAC	< 1.2VDC
On-off Time	≤ 1mS	≤ 1mS
Leakage Current in off	≤ 3mA	≤ 1mA
Dielectric Strength	≥1500VAC	
Insulation Resistance	100MΩ	
Ambient Temp	-30℃ ~ +80℃	
Outline size	28×5×15mm	
Installation	PCB mounting,socket mounting	

Outline mounting view(mm)



Remark:

- 1) In case of no tolerance shown in outline dimension :  
 Outline dimension 1mm ,tolerance should be  $\pm 0.2\text{mm}$   
 Outline dimension 1mm and 5mm ,tolerance should be  $\pm 0.3\text{mm}$   
 Outline dimension 5mm ,tolerance should be  $\pm 0.4\text{mm}$
- 2) The tolerance without indicating for PCB layout is always  $\pm 0.1\text{mm}$