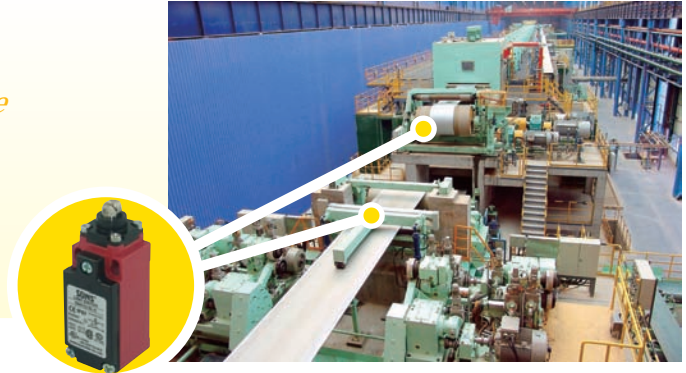


GLOBAL STYLE SAFETY LIMIT SWITCHES (METAL BODIED EN50047 TYPE) SN4 SERIES (SINGLE CONDUIT ENTRY)

Our Applications Engineers evaluate systems' compatibility, installation, maintenance, and reliability when reviewing control solutions.



Features

- Zinc die cast body
- Earth grounding surface on same level as switching
- Easily interchangeable contact block
- Galvanically separated contacts
- Screw terminals with self-lifting clamps for easy wiring
- Positive Opening of NC contacts
- 4 x 90° actuator positions
- Cable entry available: M20, PG13.5 and 1/2"NPT
- Conform to EN 50047 standard

Definitions of Operating Characteristics

- OF Operating Force
- RF Releasing Force
- OT Overtravel
- TT Total Travel
- PT Pretravel
- MD Movement Differential
- OP Operating Position
- PO Travel to Positive Opening



Specifications

Operating Speed	0.05mm-2m/sec
Operating Frequency	Mechanical: 120ops/min Electrical: 30 ops/min
Insulation Resistance	>100MΩ@500V DC
Contact Resistance	<25mΩ (initial value)
Rated Current/Voltage	10A/600V AC (EN60947-5-1) UL/cUL Listed (E216958) AC15 A600 / DC13 Q300
Dielectric Strength	1000VAC for 1 min between current carrying parts 2500VAC for 1 min between non-current carrying parts
Service Life	Mechanically 1.0 x10 ⁷ (operations) Electrically 5 x10 ⁵ (operations)
Operating Temperature	-25~+80°C (-13~176°F) with no icing
Humidity	< 95%RH
Weight	200-250g
Degree of Protection	IP67

Selection Guide:

SN41

Body Styles

04

Head Styles

SP

Contact Block

- SP* 1N0/1NC Snap action
- SL* BBM 1N0/1NC Slow Action changeover
- SL1***MBB** 1N0/1NC Slow Action Overlapping
- SL2*2NC Slow Action
- SL3*2N0 Slow Action
- SL4*3NC Slow Action
- SL5*3N0 Slow Action
- SL6***BBM** 2NC/1N0 Slow Action changeover
- SL7***MBB** 2NC/1N0 Slow Action Overlapping
- SL8***BBM** 2N0/1NC Slow Action changeover
- SL9***MBB** 2N0/1NC Slow Action Overlapping

C

Conduits

- A: 1/2"NPT
- B: PG13.5
- C: M20
- D: M16
- B1: PG11

R

- Blank
- R: with Reset

GLOBAL STYLE SAFETY LIMIT SWITCHES (METAL BODIED EN50047 TYPE) SN4 SERIES (SINGLE CONDUIT ENTRY)

Available contact blocks and travel diagrams

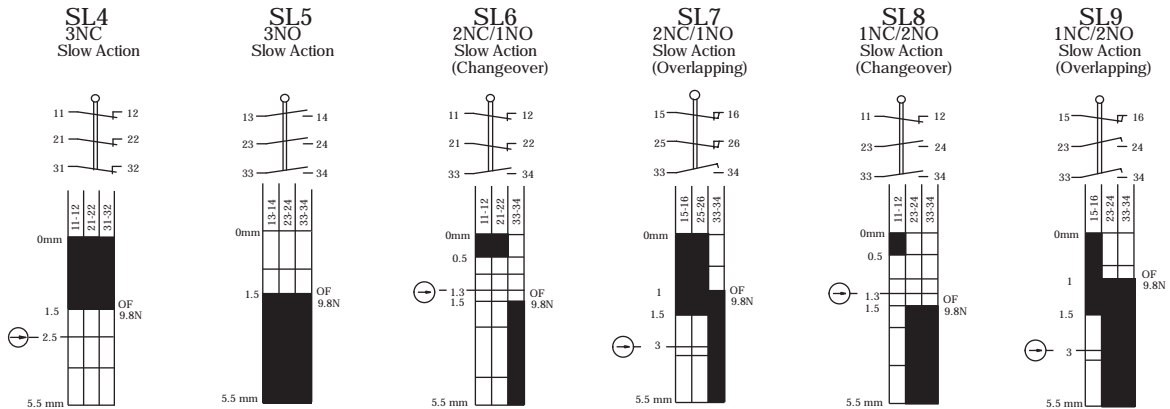
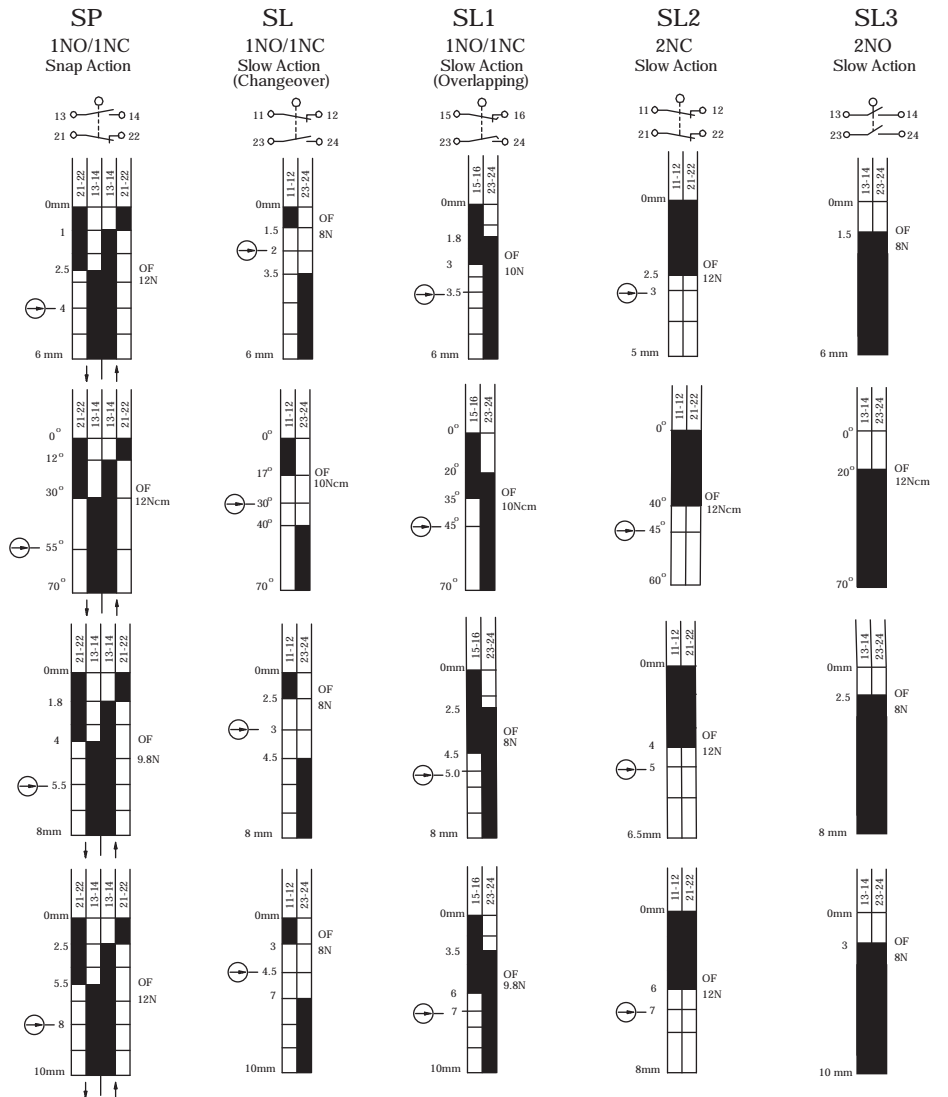


Plunger type
11,12,31,32 styles

Side rotary type
04, 07, 08, 14, 18 Styles

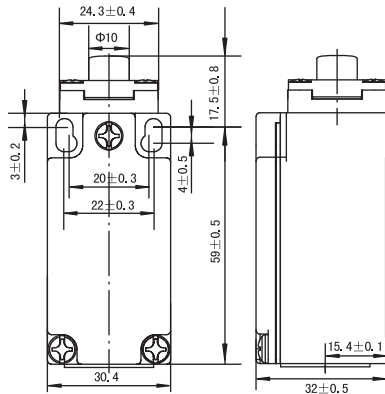
62, 63 styles

72, 73 styles



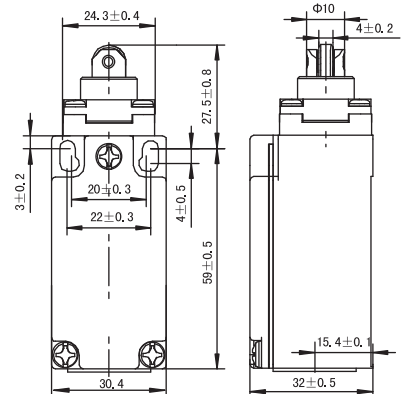
GLOBAL STYLE SAFETY LIMIT SWITCHES (METAL BODIED EN50047 TYPE) SN4 SERIES (SINGLE CONDUIT ENTRY)

SN4111



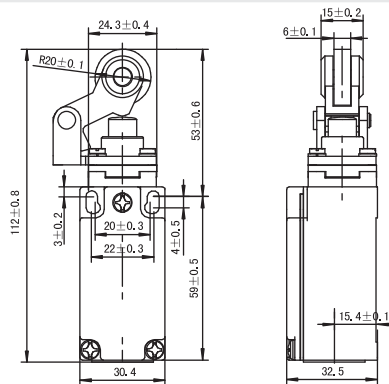
Order Code	Contact block			
SN4111-SP- _	SP	↔	snap action	1NO+1NC
SN4111-SL- _	SL	↔	slow action	1NO+1NC BBM
SN4111-SL1- _	SL1	↔	slow action	1NO+1NC MBB
SN4111-SL2- _	SL2	↔	slow action	2NC

SN4112



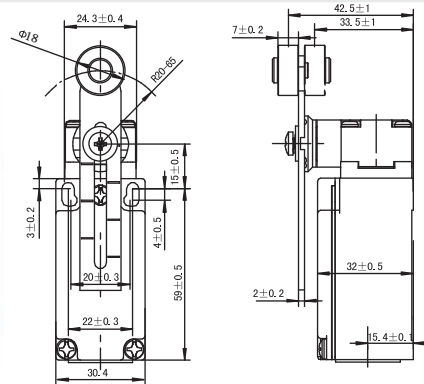
Order Code	Contact block			
SN4112-SP- _	SP	↔	snap action	1NO+1NC
SN4112-SL- _	SL	↔	slow action	1NO+1NC BBM
SN4112-SL1- _	SL1	↔	slow action	1NO+1NC MBB
SN4112-SL2- _	SL2	↔	slow action	2NC

SN4162



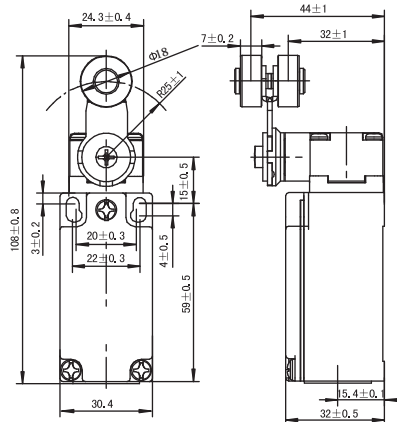
Order Code	Contact block			
SN4162-SP- _	SP	↔	snap action	1NO+1NC
SN4162-SL- _	SL	↔	slow action	1NO+1NC BBM
SN4162-SL1- _	SL1	↔	slow action	1NO+1NC MBB
SN4162-SL2- _	SL2	↔	slow action	2NC

SN4108



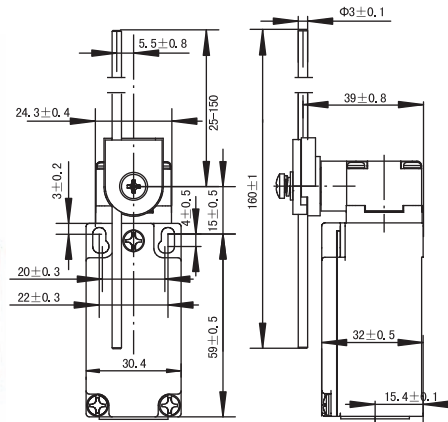
Order Code	Contact block			
SN4108-SP- _	SP	↔	snap action	1NO+1NC
SN4108-SL- _	SL	↔	slow action	1NO+1NC BBM
SN4108-SL1- _	SL1	↔	slow action	1NO+1NC MBB
SN4108-SL2- _	SL2	↔	slow action	2NC

SN4104



Order Code	Contact block			
SN4104-SP- _	SP	↔	snap action	1NO+1NC
SN4104-SL- _	SL	↔	slow action	1NO+1NC BBM
SN4104-SL1- _	SL1	↔	slow action	1NO+1NC MBB
SN4104-SL2- _	SL2	↔	slow action	2NC

SN4107



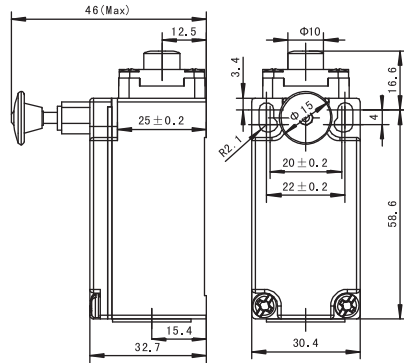
Order Code	Contact block			
SN4107-SP- _	SP	↔	snap action	1NO+1NC
SN4107-SL- _	SL	↔	slow action	1NO+1NC BBM
SN4107-SL1- _	SL1	↔	slow action	1NO+1NC MBB
SN4107-SL2- _	SL2	↔	slow action	2NC

GLOBAL STYLE SAFETY LIMIT SWITCHES (METAL BODIED EN50047 TYPE) SN4 SERIES (SINGLE CONDUIT ENTRY)

<p>SN4114</p>	<p>SN4118</p>
<p>Order Code</p> <p>SN4114-SP- _</p> <p>SN4114-SL- _</p> <p>SN4114-SL1- _</p> <p>SN4114-SL2- _</p>	<p>Contact block</p> <p>SP snap action 1NO+1NC</p> <p>SL slow action 1NO+1NC BBM</p> <p>SL1 slow action 1NO+1NC MBB</p> <p>SL2 slow action 2NC</p>
<p>SN4100</p>	<p>SN4166</p>
<p>Order Code</p> <p>SN4100-SP- _</p>	<p>Contact block</p> <p>SP snap action 1NO+1NC</p>
<p>SN4169</p>	<p>Order Code</p> <p>SN4169-SP- _</p> <p>Contact block</p> <p>SP snap action 1NO+1NC</p>

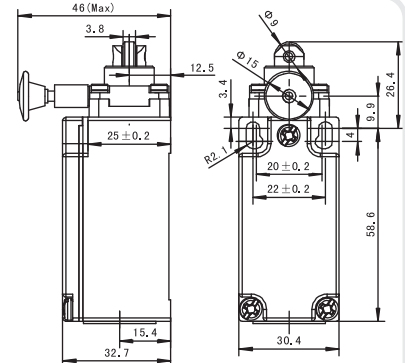
GLOBAL STYLE SAFETY LIMIT SWITCHES (METAL BODIED EN50047 TYPE) SN4 SERIES (SINGLE CONDUIT ENTRY WITH RESET)

SN4111-R



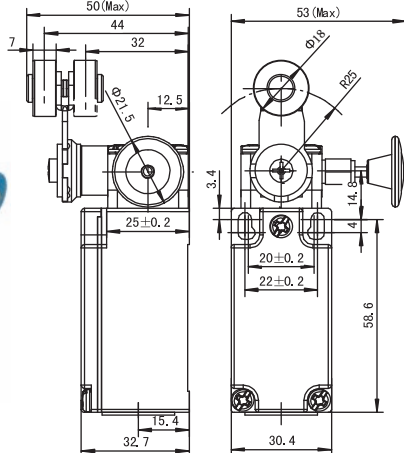
Order Code	Contact block			
SN4111-SP-_R	SP	↻	snap action	1NO+1NC
SN4111-SL-_R	SL	↻	slow action	1NO+1NC BBM
SN4111-SL1-_R	SL1	↻	slow action	1NO+1NC MBB
SN4111-SL2-_R	SL2	↻	slow action	2NC

SN4112-R



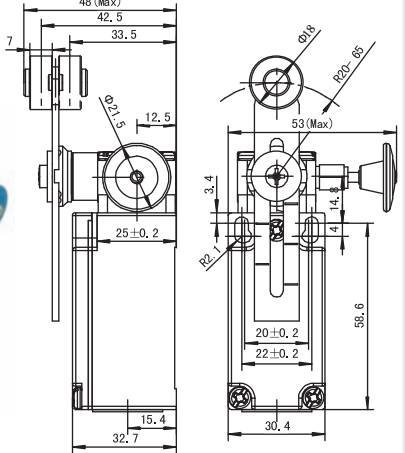
Order Code	Contact block			
SN4112-SP-_R	SP	↻	snap action	1NO+1NC
SN4112-SL-_R	SL	↻	slow action	1NO+1NC BBM
SN4112-SL1-_R	SL1	↻	slow action	1NO+1NC MBB
SN4112-SL2-_R	SL2	↻	slow action	2NC

SN4104-R



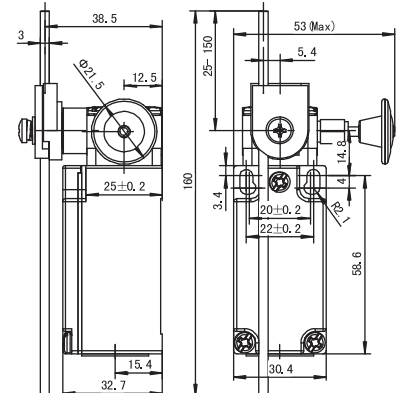
Order Code	Contact block			
SN4104-SP-_R	SP	↻	snap action	1NO+1NC
SN4104-SL-_R	SL	↻	slow action	1NO+1NC BBM
SN4104-SL1-_R	SL1	↻	slow action	1NO+1NC MBB
SN4104-SL2-_R	SL2	↻	slow action	2NC

SN4108-R



Order Code	Contact block			
SN4108-SP-_R	SP	↻	snap action	1NO+1NC
SN4108-SL-_R	SL	↻	slow action	1NO+1NC BBM
SN4108-SL1-_R	SL1	↻	slow action	1NO+1NC MBB
SN4108-SL2-_R	SL2	↻	slow action	2NC

SN4107-R



Order Code	Contact block			
SN4107-SP-_R	SP	↻	snap action	1NO+1NC
SN4107-SL-_R	SL	↻	slow action	1NO+1NC BBM
SN4107-SL1-_R	SL1	↻	slow action	1NO+1NC MBB
SN4107-SL2-_R	SL2	↻	slow action	2NC

GLOBAL STYLE SAFETY LIMIT SWITCHES (METAL BODIED EN50047 TYPE) SN4 SERIES (SINGLE CONDUIT ENTRY WITH RESET)

<p>SN4114-R</p>	<p>SN4118-R</p>																																																		
<table border="0"> <thead> <tr> <th>Order Code</th> <th>Contact block</th> <th></th> <th></th> <th></th> </tr> </thead> <tbody> <tr> <td>SN4114-SP- _R</td> <td>SP</td> <td>→</td> <td>snap action</td> <td>1NO+1NC</td> </tr> <tr> <td>SN4114-SL- _R</td> <td>SL</td> <td>→</td> <td>slow action</td> <td>1NO+1NC BBM</td> </tr> <tr> <td>SN4114-SL1- _R</td> <td>SL1</td> <td>→</td> <td>slow action</td> <td>1NO+1NC MBB</td> </tr> <tr> <td>SN4114-SL2- _R</td> <td>SL2</td> <td>→</td> <td>slow action</td> <td>2NC</td> </tr> </tbody> </table>	Order Code	Contact block				SN4114-SP- _R	SP	→	snap action	1NO+1NC	SN4114-SL- _R	SL	→	slow action	1NO+1NC BBM	SN4114-SL1- _R	SL1	→	slow action	1NO+1NC MBB	SN4114-SL2- _R	SL2	→	slow action	2NC	<table border="0"> <thead> <tr> <th>Order Code</th> <th>Contact block</th> <th></th> <th></th> <th></th> </tr> </thead> <tbody> <tr> <td>SN4118-SP- _R</td> <td>SP</td> <td>→</td> <td>snap action</td> <td>1NO+1NC</td> </tr> <tr> <td>SN4118-SL- _R</td> <td>SL</td> <td>→</td> <td>slow action</td> <td>1NO+1NC BBM</td> </tr> <tr> <td>SN4118-SL1- _R</td> <td>SL1</td> <td>→</td> <td>slow action</td> <td>1NO+1NC MBB</td> </tr> <tr> <td>SN4118-SL2- _R</td> <td>SL2</td> <td>→</td> <td>slow action</td> <td>2NC</td> </tr> </tbody> </table>	Order Code	Contact block				SN4118-SP- _R	SP	→	snap action	1NO+1NC	SN4118-SL- _R	SL	→	slow action	1NO+1NC BBM	SN4118-SL1- _R	SL1	→	slow action	1NO+1NC MBB	SN4118-SL2- _R	SL2	→	slow action	2NC
Order Code	Contact block																																																		
SN4114-SP- _R	SP	→	snap action	1NO+1NC																																															
SN4114-SL- _R	SL	→	slow action	1NO+1NC BBM																																															
SN4114-SL1- _R	SL1	→	slow action	1NO+1NC MBB																																															
SN4114-SL2- _R	SL2	→	slow action	2NC																																															
Order Code	Contact block																																																		
SN4118-SP- _R	SP	→	snap action	1NO+1NC																																															
SN4118-SL- _R	SL	→	slow action	1NO+1NC BBM																																															
SN4118-SL1- _R	SL1	→	slow action	1NO+1NC MBB																																															
SN4118-SL2- _R	SL2	→	slow action	2NC																																															
<p>SN4100-R</p>	<p>SN4166-R</p>																																																		
<table border="0"> <thead> <tr> <th>Order Code</th> <th>Contact block</th> <th></th> <th></th> <th></th> </tr> </thead> <tbody> <tr> <td>SN4100-SP- _R</td> <td>SP</td> <td>→</td> <td>snap action</td> <td>1NO+1NC</td> </tr> </tbody> </table>	Order Code	Contact block				SN4100-SP- _R	SP	→	snap action	1NO+1NC	<table border="0"> <thead> <tr> <th>Order Code</th> <th>Contact block</th> <th></th> <th></th> <th></th> </tr> </thead> <tbody> <tr> <td>SN4166-SP- _R</td> <td>SP</td> <td>→</td> <td>snap action</td> <td>1NO+1NC</td> </tr> </tbody> </table>	Order Code	Contact block				SN4166-SP- _R	SP	→	snap action	1NO+1NC																														
Order Code	Contact block																																																		
SN4100-SP- _R	SP	→	snap action	1NO+1NC																																															
Order Code	Contact block																																																		
SN4166-SP- _R	SP	→	snap action	1NO+1NC																																															
<p>SN4169-R</p>																																																			
<table border="0"> <thead> <tr> <th>Order Code</th> <th>Contact block</th> <th></th> <th></th> <th></th> </tr> </thead> <tbody> <tr> <td>SN4169-SP- _R</td> <td>SP</td> <td>→</td> <td>snap action</td> <td>1NO+1NC</td> </tr> </tbody> </table>	Order Code	Contact block				SN4169-SP- _R	SP	→	snap action	1NO+1NC																																									
Order Code	Contact block																																																		
SN4169-SP- _R	SP	→	snap action	1NO+1NC																																															