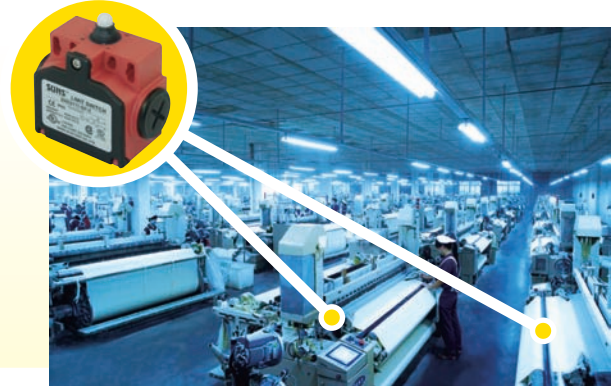


GLOBAL STYLE SAFETY LIMIT SWITCHES (PLASTIC BODIED EN50047 COMPATIBLE) SND2 SERIES (2 - CONDUIT ENTRIES)

*More reasonable cost so
that more and more enterprises
choose the SUNS*



Features

- Glass fiber reinforced plastic body
- Easily interchangeable contact block
- Galvanically separated contacts
- Screw terminals with self-lifting clamps for easy wiring
- Positive Opening of NC contacts
- 4 x 90° actuator positions
- Cable entry available: M20, PG13.5 and 1/2"NPT
- Conform to EN 50047 standard

Definitions of Operating Characteristics

OF	Operating Force	
RF	Releasing Force	
OT	Overtavel	
TT	Total Travel	
PT	Pretravel	
MD	Movement Differential	ON OFF
OP	Operating Position	
PO	Travel to Positive Opening	

Specifications

Operating Speed	0.05mm-2m/sec
Operating Frequency	Mechanical: 120ops/min Electrical: 30 ops/min
Insulation Resistance	>100MΩ@500V DC
Contact Resistance	<25mΩ (initial value)
Rated Current/Voltage	10A/600V AC (EN60947-5-1) AC15 A600 / DC13 Q300
Dielectric Strength	1000VAC for 1 min between current carrying parts 2500VAC for 1 min between non-current carrying parts
Service Life	Mechanically 1.0 x10 ⁷ (operations) Electrically 5 x10 ⁵ (operations)
Operating Temperature	-25~+80°C (-13~176°F) with no icing
Humidity	< 95%RH
Weight	59-109g
Degree of Protection	IP65

Selection Guide:

SND21	04	SP	C	R
Body Styles	Head Styles	Contact Block	Conduits	
		— SP* 1NO/1NC Snap action	— A: 1/2"NPT	— R: with Reset
		— SL* BBM 1NO/1NC Slow Action changeover	— B: PG13.5	
		— SL1*MBB 1NO/1NC Slow Action Overlapping	— C: M20	
		— SL2*2NC Slow Action	— D: M16	
		— SL3*2NO Slow Action	— B1: PG11	
		— SL4*3NC Slow Action		
		— SL5*3NO Slow Action		
		— SL6*BBM 2NC/1NO Slow Action changeover		
		— SL7*MBB 2NC/1NO Slow Action Overlapping		
		— SL8*BBM 2NO/1NC Slow Action changeover		
		— SL9*MBB 2NO/1NC Slow Action Overlapping		

GLOBAL STYLE SAFETY LIMIT SWITCHES (PLASTIC BODIED EN50047 COMPATIBLE) SND2 SERIES (2 - CONDUIT ENTRIES)

Available contact blocks and travel diagrams

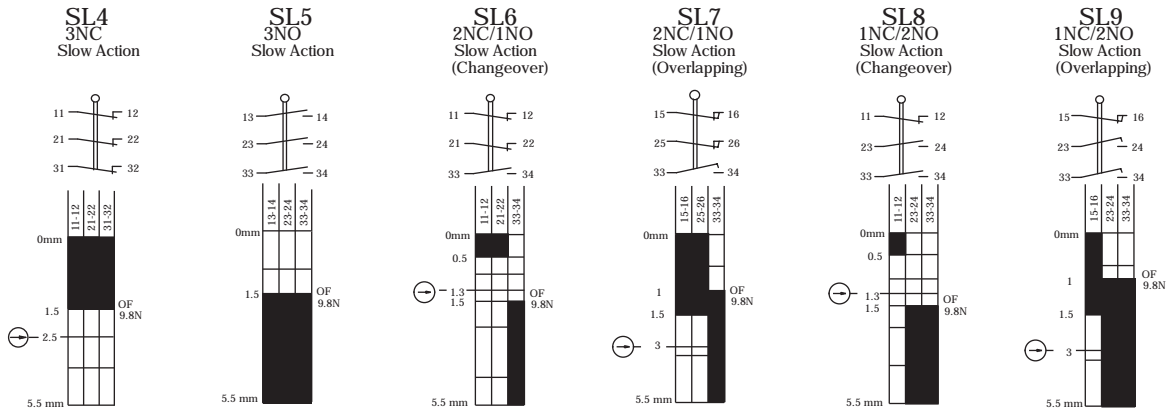
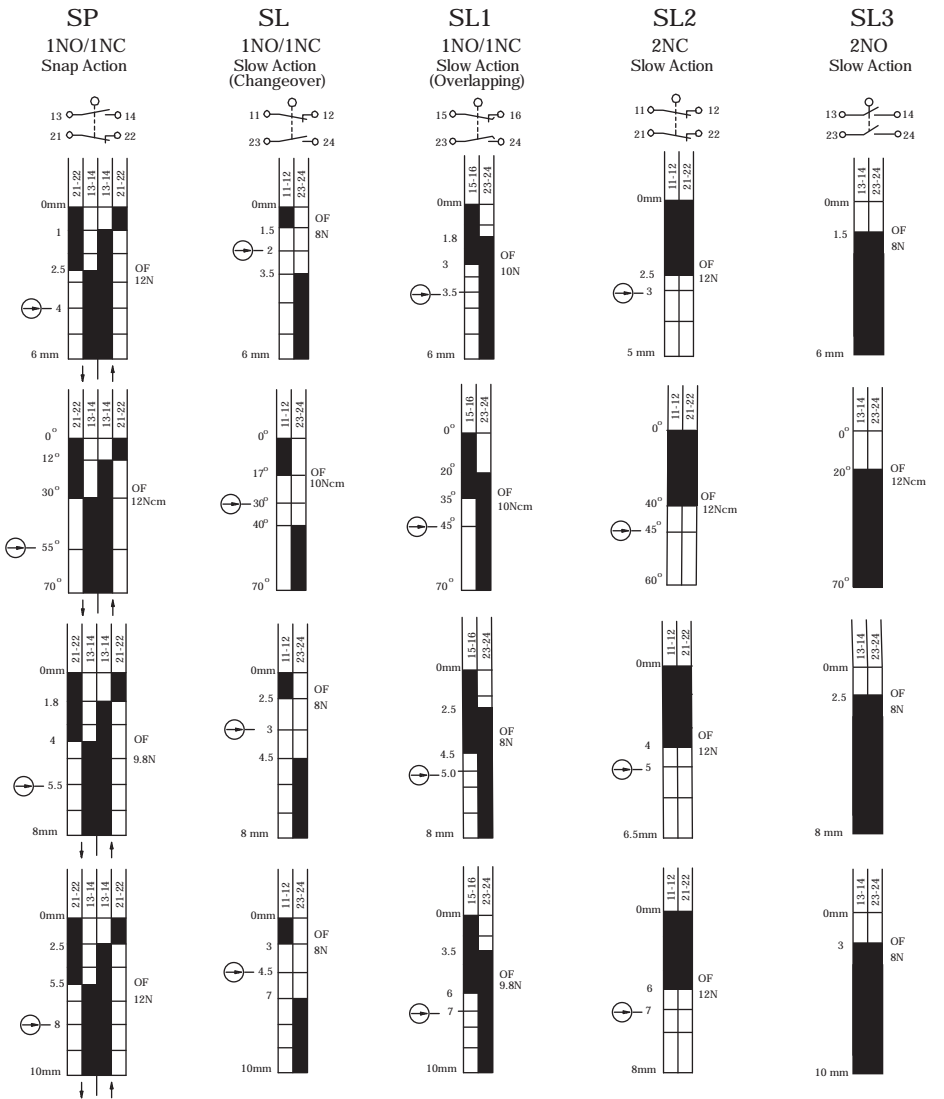


Plunger type
11, 12, 31, 32 styles

Side rotary type
04, 07, 08, 14, 18 Styles

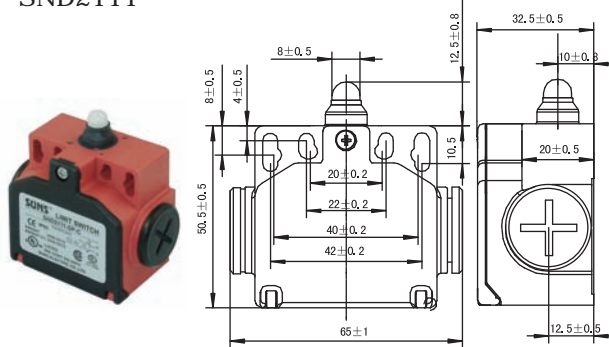
62, 63 styles

72, 73 styles



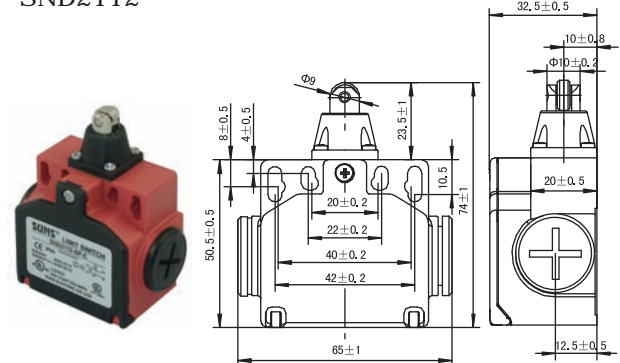
GLOBAL STYLE SAFETY LIMIT SWITCHES (PLASTIC BODIED EN50047 COMPATIBLE) SND2 SERIES (2 - CONDUIT ENTRIES)

SND2111



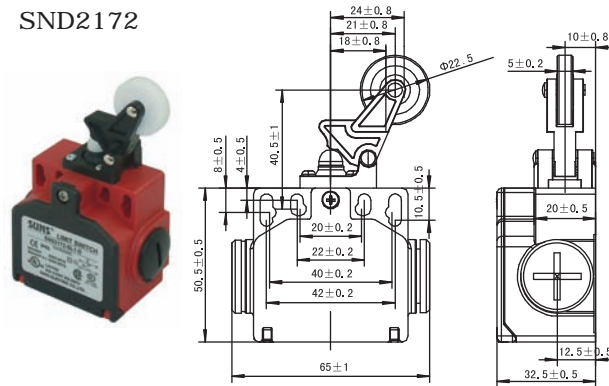
Order Code	Contact block			
SND2111-SP- _	SP	↔	snap action	1NO+1NC
SND2111-SL- _	SL	↔	slow action	1NO+1NC BBM
SND2111-SL1- _	SL1	↔	slow action	1NO+1NC MBB
SND2111-SL2- _	SL2	↔	slow action	2NC

SND2112



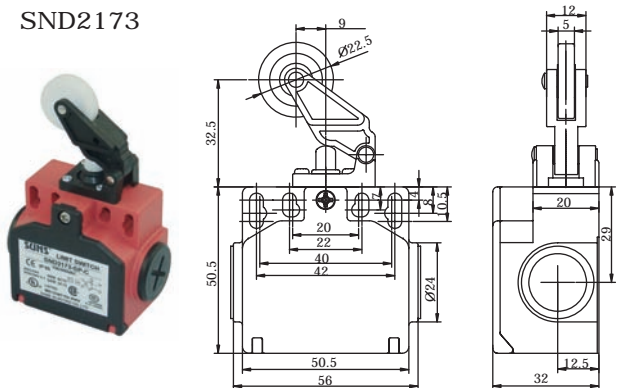
Order Code	Contact block			
SND2112-SP- _	SP	↔	snap action	1NO+1NC
SND2112-SL- _	SL	↔	slow action	1NO+1NC BBM
SND2112-SL1- _	SL1	↔	slow action	1NO+1NC MBB
SND2112-SL2- _	SL2	↔	slow action	2NC

SND2172



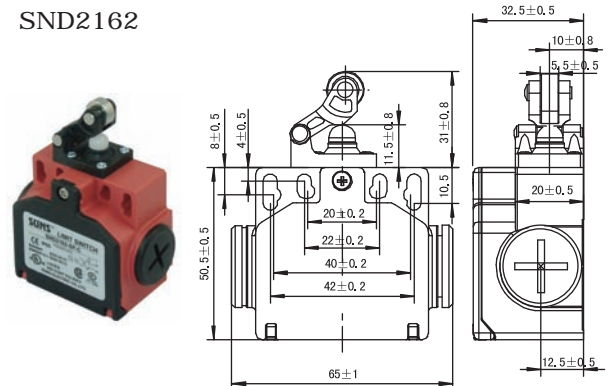
Order Code	Contact block			
SND2172-SP- _	SP	↔	snap action	1NO+1NC
SND2172-SL- _	SL	↔	slow action	1NO+1NC BBM
SND2172-SL1- _	SL1	↔	slow action	1NO+1NC MBB
SND2172-SL2- _	SL2	↔	slow action	2NC

SND2173



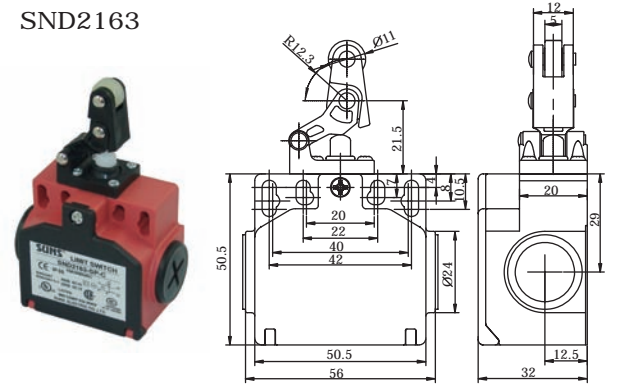
Order Code	Contact block			
SND2173-SP- _	SP	↔	snap action	1NO+1NC
SND2173-SL- _	SL	↔	slow action	1NO+1NC BBM
SND2173-SL1- _	SL1	↔	slow action	1NO+1NC MBB
SND2173-SL2- _	SL2	↔	slow action	2NC

SND2162



Order Code	Contact block			
SND2162-SP- _	SP	↔	snap action	1NO+1NC
SND2162-SL- _	SL	↔	slow action	1NO+1NC BBM
SND2162-SL1- _	SL1	↔	slow action	1NO+1NC MBB
SND2162-SL2- _	SL2	↔	slow action	2NC

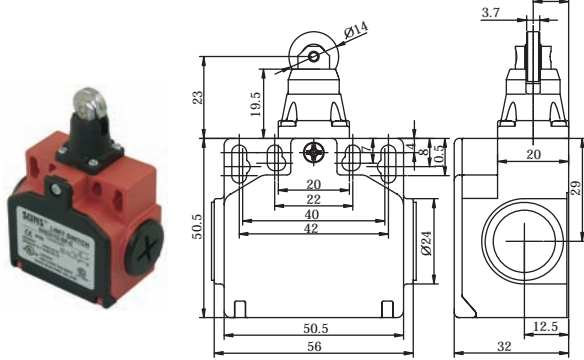
SND2163



Order Code	Contact block			
SND2163-SP- _	SP	↔	snap action	1NO+1NC
SND2163-SL- _	SL	↔	slow action	1NO+1NC BBM
SND2163-SL1- _	SL1	↔	slow action	1NO+1NC MBB
SND2163-SL2- _	SL2	↔	slow action	2NC

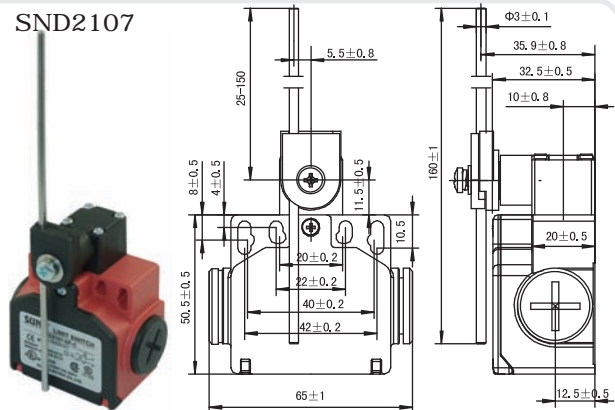
GLOBAL STYLE SAFETY LIMIT SWITCHES (PLASTIC BODIED EN50047 COMPATIBLE) SND2 SERIES (2 - CONDUIT ENTRIES)

SND2112-L



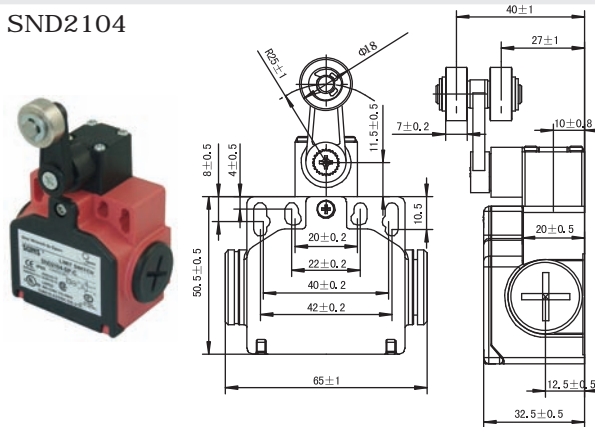
Order Code	Contact block			
SND2112-SP- _L	SP	⊕	snap action	1NO+1NC
SND2112-SL- _L	SL	⊕	slow action	1NO+1NC BBM
SND2112-SL1- _L	SL1	⊕	slow action	1NO+1NC MBB
SND2112-SL2- _L	SL2	⊕	slow action	2NC

SND2107



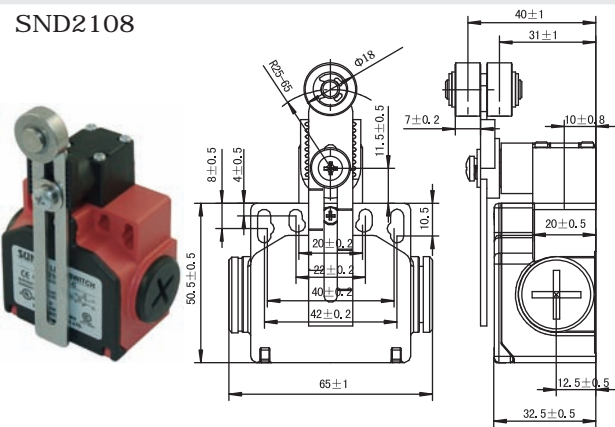
Order Code	Contact block			
SND2107-SP- _	SP	⊕	snap action	1NO+1NC
SND2107-SL- _	SL	⊕	slow action	1NO+1NC BBM
SND2107-SL1- _	SL1	⊕	slow action	1NO+1NC MBB
SND2107-SL2- _	SL2	⊕	slow action	2NC

SND2104



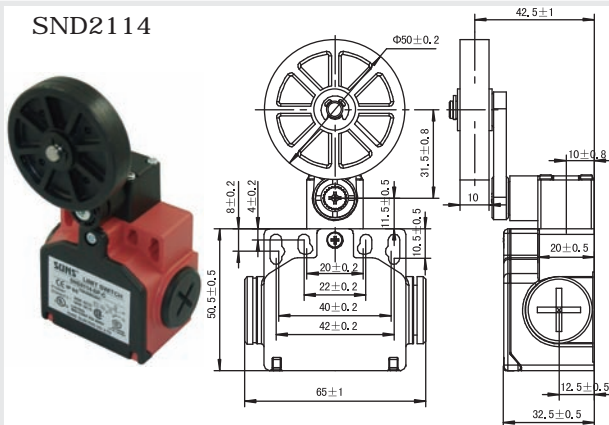
Order Code	Contact block			
SND2104-SP- _	SP	⊕	snap action	1NO+1NC
SND2104-SL- _	SL	⊕	slow action	1NO+1NC BBM
SND2104-SL1- _	SL1	⊕	slow action	1NO+1NC MBB
SND2104-SL2- _	SL2	⊕	slow action	2NC

SND2108



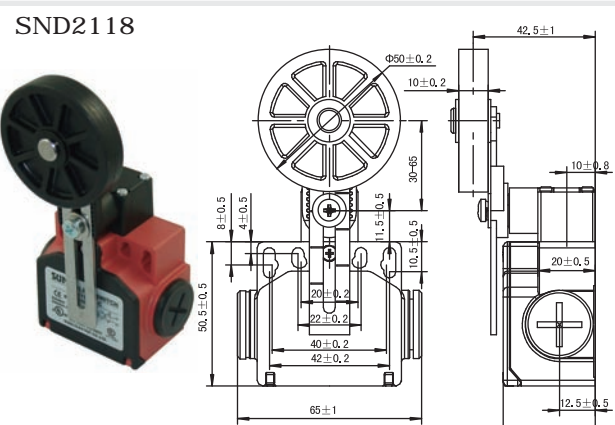
Order Code	Contact block			
SND2108-SP- _	SP	⊕	snap action	1NO+1NC
SND2108-SL- _	SL	⊕	slow action	1NO+1NC BBM
SND2108-SL1- _	SL1	⊕	slow action	1NO+1NC MBB
SND2108-SL2- _	SL2	⊕	slow action	2NC

SND2114



Order Code	Contact block			
SND2114-SP- _	SP	⊕	snap action	1NO+1NC
SND2114-SL- _	SL	⊕	slow action	1NO+1NC BBM
SND2114-SL1- _	SL1	⊕	slow action	1NO+1NC MBB
SND2114-SL2- _	SL2	⊕	slow action	2NC

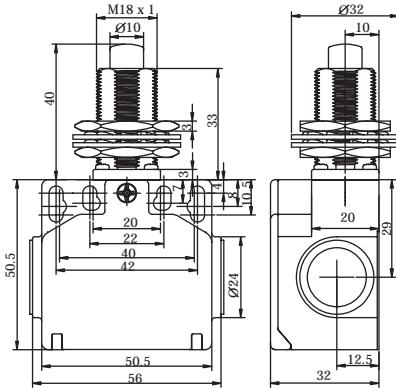
SND2118



Order Code	Contact block			
SND2118-SP- _	SP	⊕	snap action	1NO+1NC
SND2118-SL- _	SL	⊕	slow action	1NO+1NC BBM
SND2118-SL1- _	SL1	⊕	slow action	1NO+1NC MBB
SND2118-SL2- _	SL2	⊕	slow action	2NC

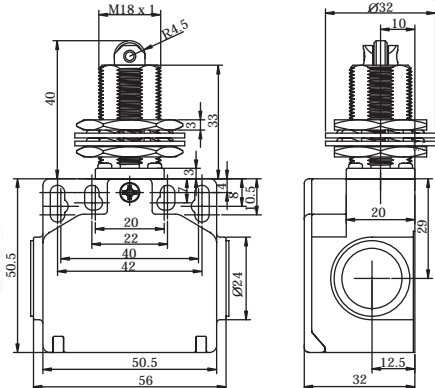
GLOBAL STYLE SAFETY LIMIT SWITCHES (PLASTIC BODIED EN50047 COMPATIBLE) SND2 SERIES (2 - CONDUIT ENTRIES)

SND2131



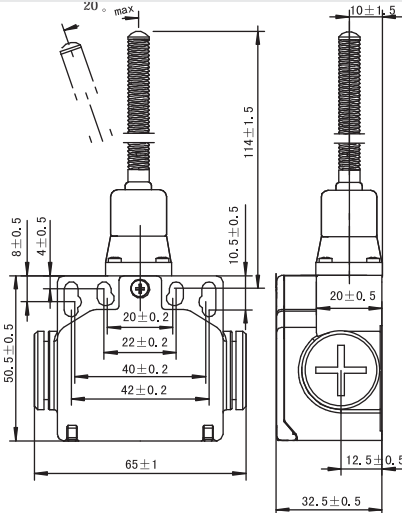
Order Code	Contact block			
SND2131-SP- _	SP	↻	snap action	1NO+1NC
SND2131-SL- _	SL	↻	slow action	1NO+1NC BBM
SND2131-SL1- _	SL1	↻	slow action	1NO+1NC MBB
SND2131-SL2- _	SL2	↻	slow action	2NC

SND2132



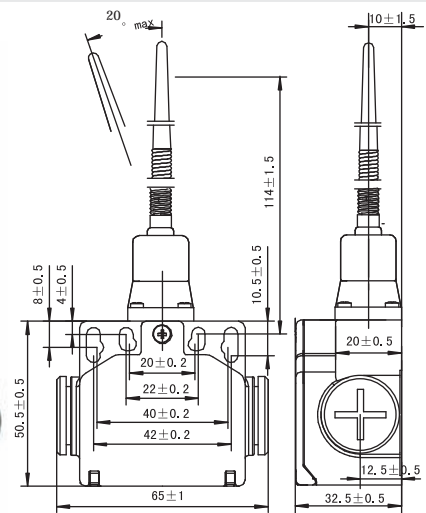
Order Code	Contact block			
SND2132-SP- _	SP	↻	snap action	1NO+1NC
SND2132-SL- _	SL	↻	slow action	1NO+1NC BBM
SND2132-SL1- _	SL1	↻	slow action	1NO+1NC MBB
SND2132-SL2- _	SL2	↻	slow action	2NC

SND2100



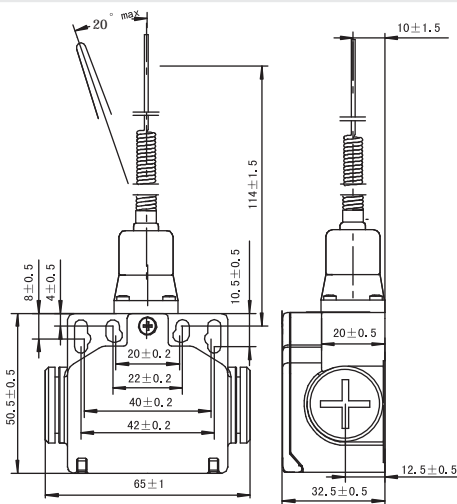
Order Code	Contact block			
SND2100-SP- _	SP	↻	snap action	1NO+1NC

SND2166



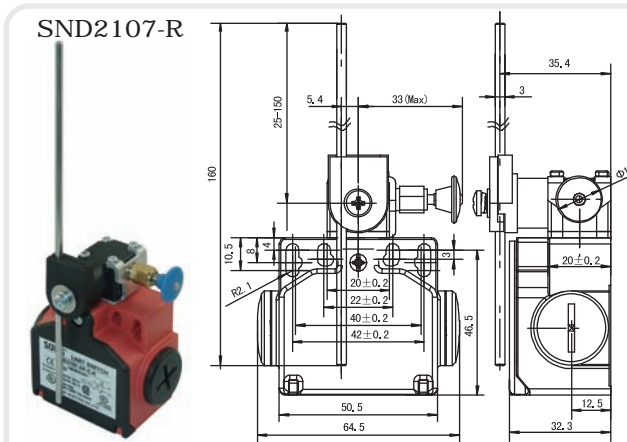
Order Code	Contact block			
SND2166-SP- _	SP	↻	snap action	1NO+1NC

SND2169

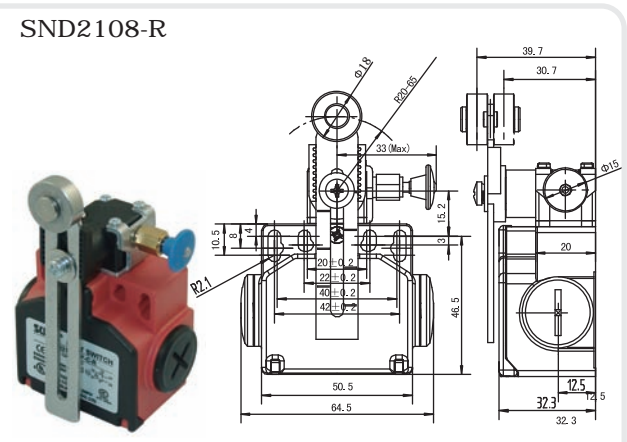


Order Code	Contact block			
SND2169-SP- _	SP	↻	snap action	1NO+1NC

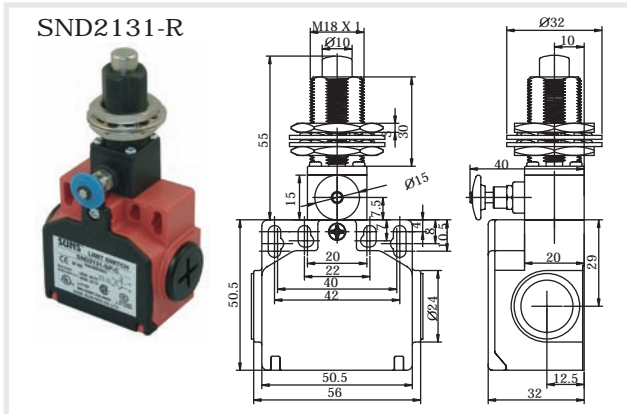
GLOBAL STYLE SAFETY LIMIT SWITCHES (PLASTIC BODIED EN50047 COMPATIBLE) SND2 SERIES (2 - CONDUIT ENTRIES WITH RESET)



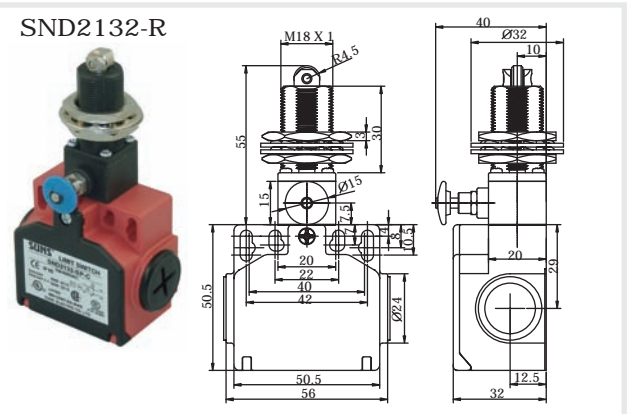
Order Code	Contact block	SP	SL	SL1	SL2
SND2107-SP- _R	SP	→	→	→	→
SND2107-SL- _R	SL	→	→	→	→
SND2107-SL1- _R	SL1	→	→	→	→
SND2107-SL2- _R	SL2	→	→	→	→



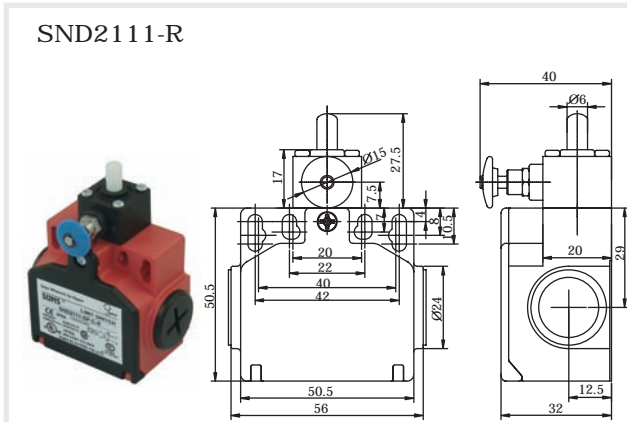
Order Code	Contact block	SP	SL	SL1	SL2
SND2108-SP- _R	SP	→	→	→	→
SND2108-SL- _R	SL	→	→	→	→
SND2108-SL1- _R	SL1	→	→	→	→
SND2108-SL2- _R	SL2	→	→	→	→



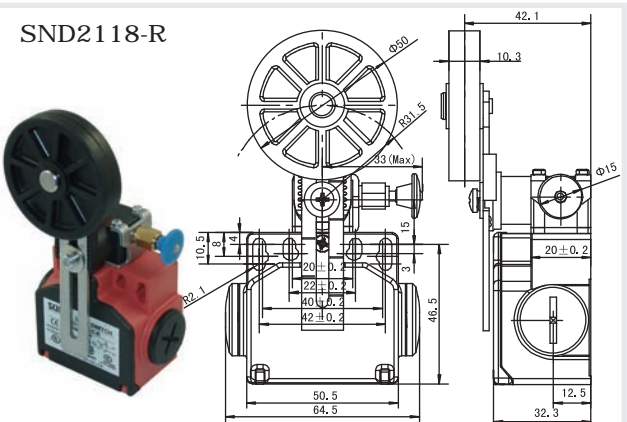
Order Code	Contact block	SP	SL	SL1	SL2
SND2131-SP- _L - R	SP	→	→	→	→
SND2131-SL- _L - R	SL	→	→	→	→
SND2131-SL1- _L - R	SL1	→	→	→	→
SND2131-SL2- _L - R	SL2	→	→	→	→



Order Code	Contact block	SP	SL	SL1	SL2
SND2132-SP- _L - R	SP	→	→	→	→
SND2132-SL- _L - R	SL	→	→	→	→
SND2132-SL1- _L - R	SL1	→	→	→	→
SND2132-SL2- _L - R	SL2	→	→	→	→



Order Code	Contact block	SP	SL	SL1	SL2
SND2111-SP- _L - R	SP	→	→	→	→
SND2111-SL- _L - R	SL	→	→	→	→
SND2111-SL1- _L - R	SL1	→	→	→	→
SND2111-SL2- _L - R	SL2	→	→	→	→



Order Code	Contact block	SP	SL	SL1	SL2
SND2118-SP- _R	SP	→	→	→	→
SND2118-SL- _R	SL	→	→	→	→
SND2118-SL1- _R	SL1	→	→	→	→
SND2118-SL2- _R	SL2	→	→	→	→