

GLOBAL STYLE SAFETY LIMIT SWITCHES (PLASTIC BODIED EN50047 TYPE) SND4 SERIES (SINGLE CONDUIT ENTRY)

SUNS products as safe and reliable products are being widely used in various mechanical devices.



Features

- Glass fiber reinforced plastic body
- Easily interchangeable contact block
- Galvanically separated contacts
- Screw terminals with self-lifting clamps for easy wiring
- Positive Opening of NC contacts
- 4 x 90° actuator positions
- Cable entry available: M20, PG13.5 and 1/2"NPT
- Conform to EN 50047 standard

Definitions of Operating Characteristics

OF	Operating Force	
RF	Releasing Force	
OT	Overtravel	
TT	Total Travel	
PT	Pretravel	
MD	Movement Differential	<input type="checkbox"/> ON <input type="checkbox"/> OFF
OP	Operating Position	
PO	Travel to Positive Opening	

Specifications

Operating Speed	0.05mm-2m/sec
Operating Frequency	Mechanical: 120ops/min Electrical: 30 ops/min
Insulation Resistance	>100MΩ@ 500V DC
Contact Resistance	<25mΩ (initial value)
Rated Current/Voltage	10A/600V AC (EN60947-5-1) AC15 A600 / DC13 Q300
Dielectric Strength	1000VAC for 1 min between current carrying parts 2500VAC for 1 min between non-current carrying parts
Service Life	Mechanically 1.0 x 10 ⁷ (operations) Electrically 5 x 10 ⁵ (operations)
Operating Temperature	-25~+80°C (-13~176°F) with no icing
Humidity	< 95%RH
Weight	50-100g
Degree of Protection	IP67

Selection Guide:

SND41	04	SP	C	R
Body Styles	Head Styles	Contact Block	Conduits	
		SP* 1N0/1NC Snap action	A: 1/2"NPT	
		SL* BBM 1N0/1NC Slow Action changeover	B: PG13.5	
		SL1*MBB 1N0/1NC Slow Action Overlapping	C: M20	
		SL2*2NC Slow Action	D: M16	
		SL3*2N0 Slow Action	B1: PG11	
		SL4*3NC Slow Action		R: with Reset
		SL5*3N0 Slow Action		
		SL6*BBM 2NC/1N0 Slow Action changeover		
		SL7*MBB 2NC/1N0 Slow Action Overlapping		
		SL8*BBM 2N0/1NC Slow Action changeover		
		SL9*MBB 2N0/1NC Slow Action Overlapping		

GLOBAL STYLE SAFETY LIMIT SWITCHES (PLASTIC BODIED EN50047 TYPE) SND4 SERIES (SINGLE CONDUIT ENTRY)

Available contact blocks and travel diagrams

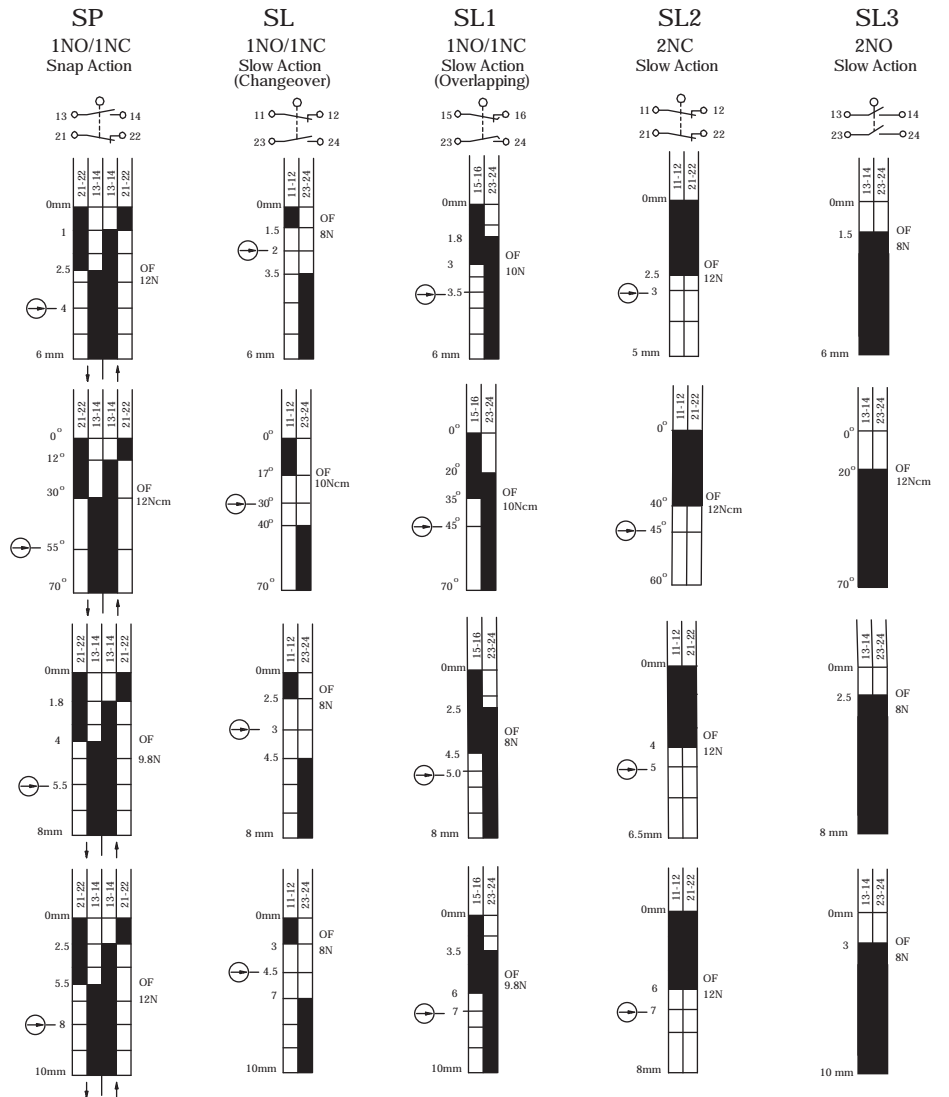


Plunger type
11, 12, 31, 32 styles

Side rotary type
04, 07, 08, 14, 18 Styles

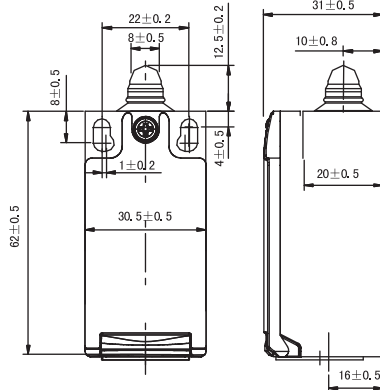
62, 63 styles

72, 73 styles



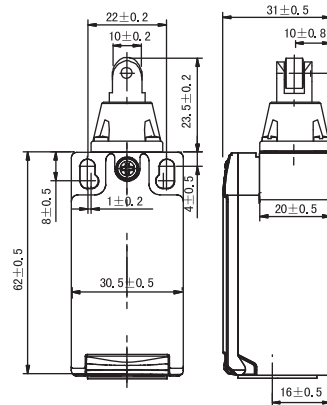
GLOBAL STYLE SAFETY LIMIT SWITCHES (PLASTIC BODIED EN50047 TYPE) SND4 SERIES (SINGLE CONDUIT ENTRY)

SND4111



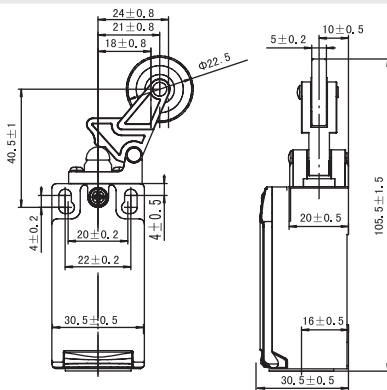
Order Code	Contact block			
SND4111-SP- _	SP	↻	snap action	1NO+1NC
SND4111-SL- _	SL	↻	slow action	1NO+1NC BBM
SND4111-SL1- _	SL1	↻	slow action	1NO+1NC MBB
SND4111-SL2- _	SL2	↻	slow action	2NC

SND4112



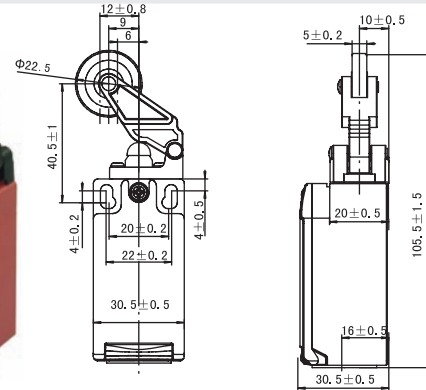
Order Code	Contact block			
SND4112-SP- _	SP	↻	snap action	1NO+1NC
SND4112-SL- _	SL	↻	slow action	1NO+1NC BBM
SND4112-SL1- _	SL1	↻	slow action	1NO+1NC MBB
SND4112-SL2- _	SL2	↻	slow action	2NC

SND4172



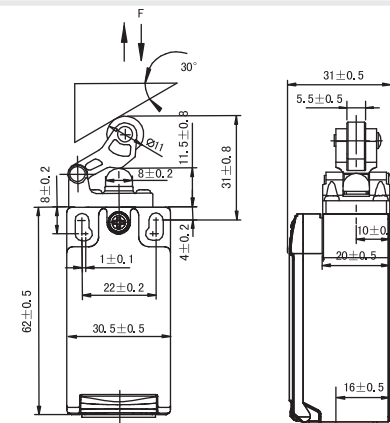
Order Code	Contact block			
SND4172-SP- _	SP	↻	snap action	1NO+1NC
SND4172-SL- _	SL	↻	slow action	1NO+1NC BBM
SND4172-SL1- _	SL1	↻	slow action	1NO+1NC MBB
SND4172-SL2- _	SL2	↻	slow action	2NC

SND4173



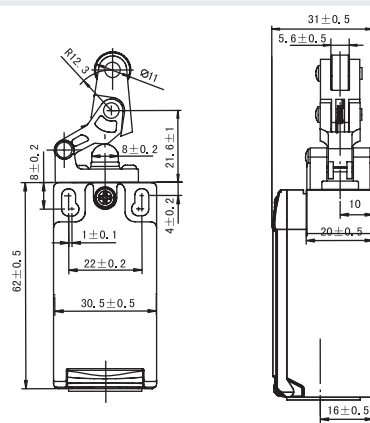
Order Code	Contact block			
SND4173-SP- _	SP	↻	snap action	1NO+1NC
SND4173-SL- _	SL	↻	slow action	1NO+1NC BBM
SND4173-SL1- _	SL1	↻	slow action	1NO+1NC MBB
SND4173-SL2- _	SL2	↻	slow action	2NC

SND4162



Order Code	Contact block			
SND4162-SP- _	SP	↻	snap action	1NO+1NC
SND4162-SL- _	SL	↻	slow action	1NO+1NC BBM
SND4162-SL1- _	SL1	↻	slow action	1NO+1NC MBB
SND4162-SL2- _	SL2	↻	slow action	2NC

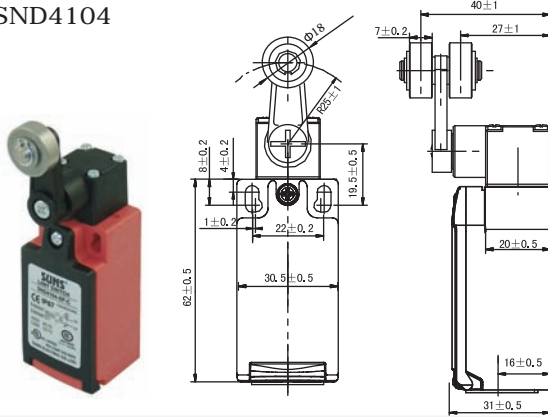
SND4163



Order Code	Contact block			
SND4163-SP- _	SP	↻	snap action	1NO+1NC
SND4163-SL- _	SL	↻	slow action	1NO+1NC BBM
SND4163-SL1- _	SL1	↻	slow action	1NO+1NC MBB
SND4163-SL2- _	SL2	↻	slow action	2NC

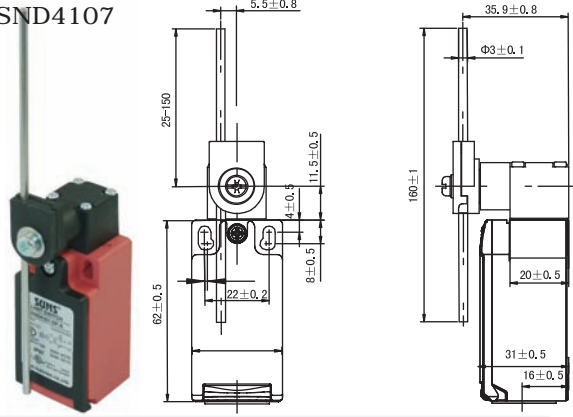
GLOBAL STYLE SAFETY LIMIT SWITCHES (PLASTIC BODIED EN50047 TYPE) SND4 SERIES (SINGLE CONDUIT ENTRY)

SND4104



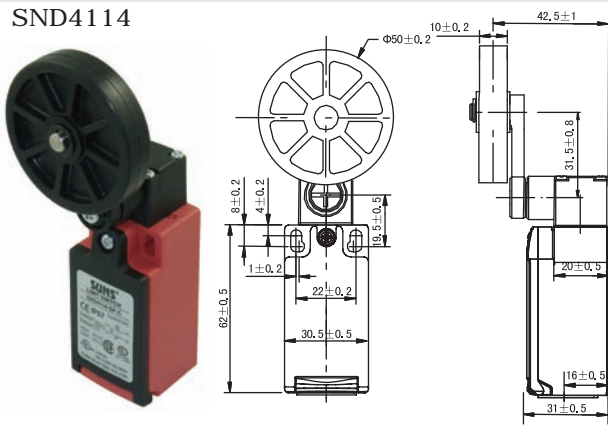
Order Code	Contact block			
SND4104-SP- _	SP	⊕	snap action	1NO+1NC
SND4104-SL- _	SL	⊕	slow action	1NO+1NC BBM
SND4104-SL1- _	SL1	⊕	slow action	1NO+1NC MBB
SND4104-SL2- _	SL2	⊕	slow action	2NC

SND4107



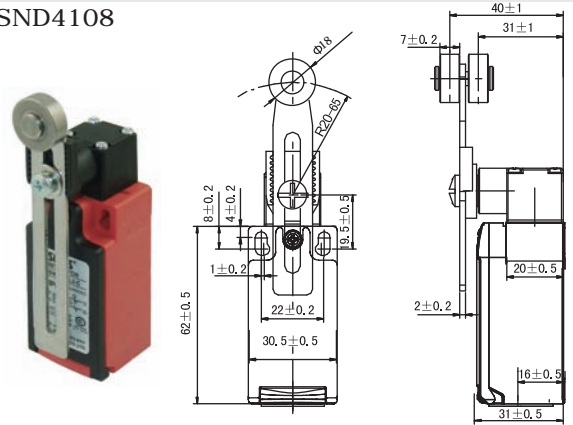
Order Code	Contact block			
SND4107-SP- _	SP	⊕	snap action	1NO+1NC
SND4107-SL- _	SL	⊕	slow action	1NO+1NC BBM
SND4107-SL1- _	SL1	⊕	slow action	1NO+1NC MBB
SND4107-SL2- _	SL2	⊕	slow action	2NC

SND4114



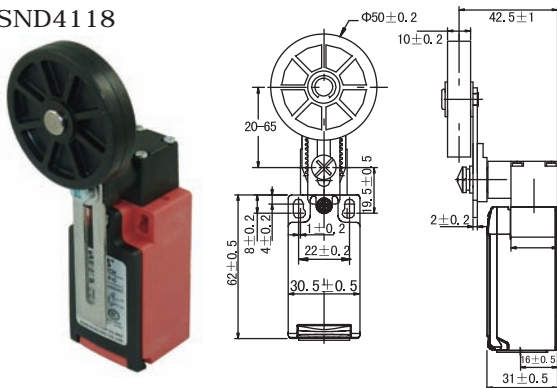
Order Code	Contact block			
SND4114-SP- _	SP	⊕	snap action	1NO+1NC
SND4114-SL- _	SL	⊕	slow action	1NO+1NC BBM
SND4114-SL1- _	SL1	⊕	slow action	1NO+1NC MBB
SND4114-SL2- _	SL2	⊕	slow action	2NC

SND4108



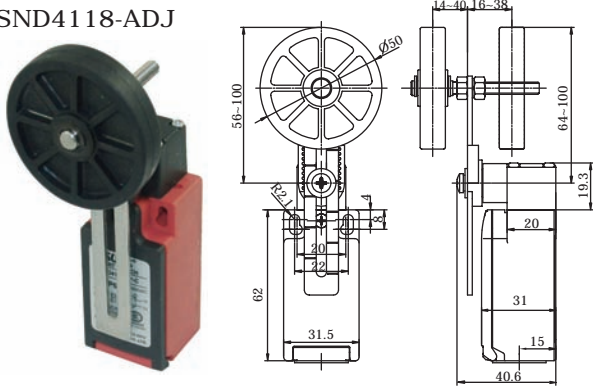
Order Code	Contact block			
SND4108-SP- _	SP	⊕	snap action	1NO+1NC
SND4108-SL- _	SL	⊕	slow action	1NO+1NC BBM
SND4108-SL1- _	SL1	⊕	slow action	1NO+1NC MBB
SND4108-SL2- _	SL2	⊕	slow action	2NC

SND4118



Order Code	Contact block			
SND4118-SP- _	SP	⊕	snap action	1NO+1NC
SND4118-SL- _	SL	⊕	slow action	1NO+1NC BBM
SND4118-SL1- _	SL1	⊕	slow action	1NO+1NC MBB
SND4118-SL2- _	SL2	⊕	slow action	2NC

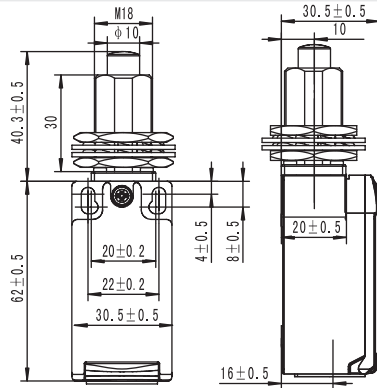
SND4118-ADJ



Order Code	Contact block			
SND4118-SP- _ADJ	SP	⊕	snap action	1NO+1NC
SND4118-SL- _ADJ	SL	⊕	slow action	1NO+1NC BBM
SND4118-SL1- _ADJ	SL1	⊕	slow action	1NO+1NC MBB
SND4118-SL2- _ADJ	SL2	⊕	slow action	2NC

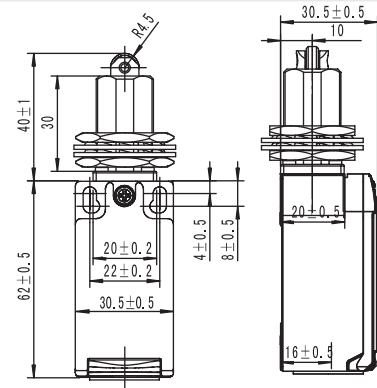
GLOBAL STYLE SAFETY LIMIT SWITCHES (PLASTIC BODIED EN50047 TYPE) SND4 SERIES (SINGLE CONDUIT ENTRY)

SND4131



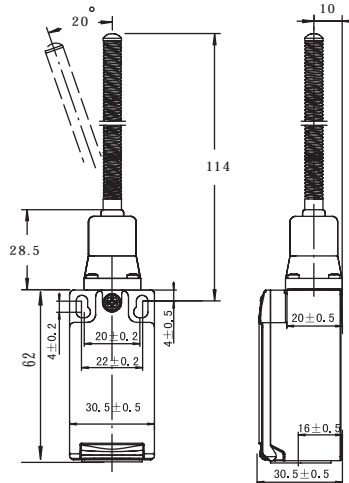
Order Code	Contact block		
SND4131-SP- _	SP	→	snap action 1NO+1NC
SND4131-SL- _	SL	→	slow action 1NO+1NC BBM
SND4131-SL1- _	SL1	→	slow action 1NO+1NC MBB
SND4131-SL2- _	SL2	→	slow action 2NC

SND4132



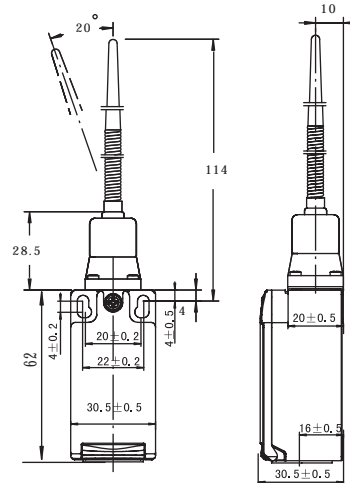
Order Code	Contact block		
SND4132-SP- _	SP	→	snap action 1NO+1NC
SND4132-SL- _	SL	→	slow action 1NO+1NC BBM
SND4132-SL1- _	SL1	→	slow action 1NO+1NC MBB
SND4132-SL2- _	SL2	→	slow action 2NC

SND4100



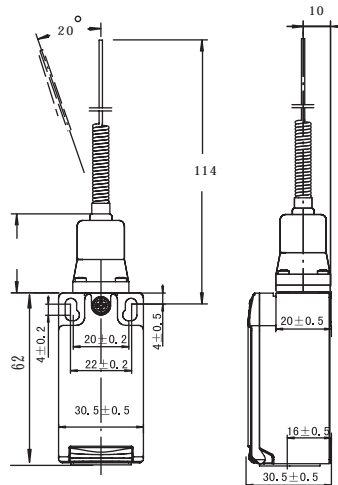
Order Code	Contact block		
SND4100-SP- _	SP	→	snap action 1NO+1NC

SND4166



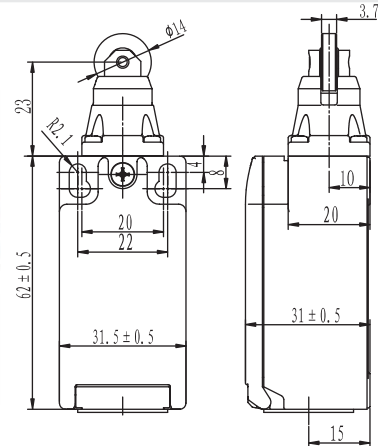
Order Code	Contact block		
SND4166-SP- _	SP	→	snap action 1NO+1NC

SND4169



Order Code	Contact block		
SND4169-SP- _	SP	→	snap action 1NO+1NC

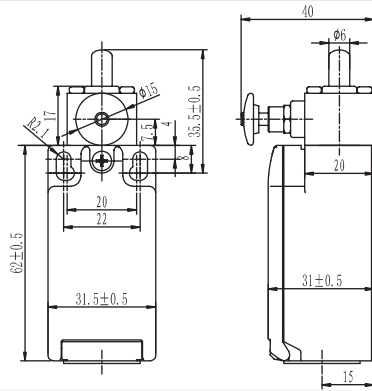
SND4112-L



Order Code	Contact block		
SND4112-SP- _L	SP	→	snap action 1NO+1NC
SND4112-SL- _L	SL	→	slow action 1NO+1NC BBM
SND4112-SL1- _L	SL1	→	slow action 1NO+1NC MBB
SND4112-SL2- _L	SL2	→	slow action 2NC

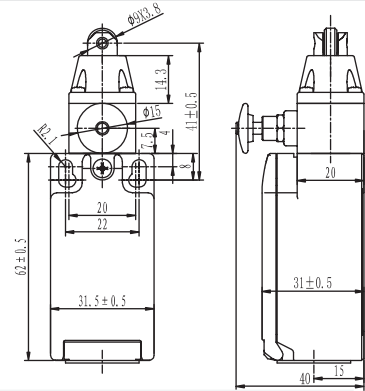
GLOBAL STYLE SAFETY LIMIT SWITCHES (PLASTIC BODIED EN50047 TYPE) SND4 SERIES (SINGLE CONDUIT ENTRY WITH RESET)

SND4111-R



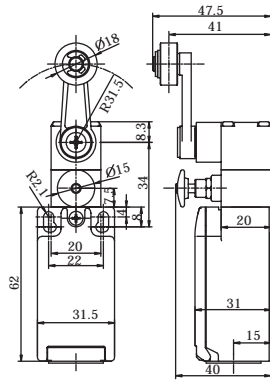
Order Code	Contact block		
SND4111-SP- _R	SP	↻	snap action 1NO+1NC
SND4111-SL- _R	SL	↻	slow action 1NO+1NC BBM
SND4111-SL1- _R	SL1	↻	slow action 1NO+1NC MBB
SND4111-SL2- _R	SL2	↻	slow action 2NC

SND4112-R



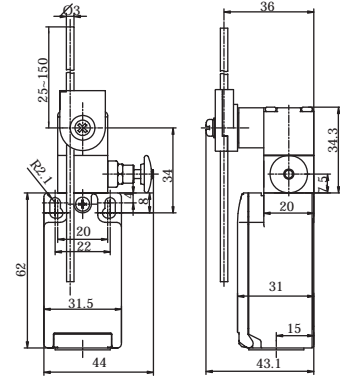
Order Code	Contact block		
SND4112-SP- _R	SP	↻	snap action 1NO+1NC
SND4112-SL- _R	SL	↻	slow action 1NO+1NC BBM
SND4112-SL1- _R	SL1	↻	slow action 1NO+1NC MBB
SND4112-SL2- _R	SL2	↻	slow action 2NC

SND4104-R



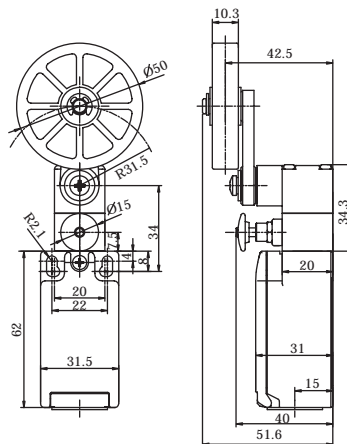
Order Code	Contact block		
SND4104-SP- _R	SP	↻	snap action 1NO+1NC
SND4104-SL- _R	SL	↻	slow action 1NO+1NC BBM
SND4104-SL1- _R	SL1	↻	slow action 1NO+1NC MBB
SND4104-SL2- _R	SL2	↻	slow action 2NC

SND4107-R



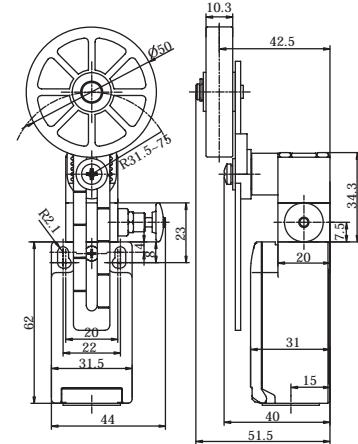
Order Code	Contact block		
SND4107-SP- _R	SP	↻	snap action 1NO+1NC
SND4107-SL- _R	SL	↻	slow action 1NO+1NC BBM
SND4107-SL1- _R	SL1	↻	slow action 1NO+1NC MBB
SND4107-SL2- _R	SL2	↻	slow action 2NC

SND4114-R



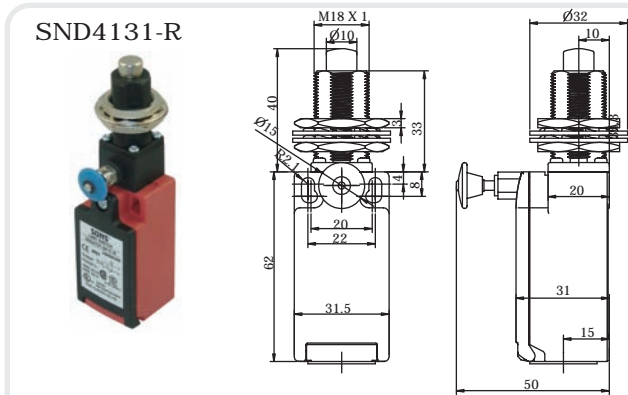
Order Code	Contact block		
SND4114-SP- _R	SP	↻	snap action 1NO+1NC
SND4114-SL- _R	SL	↻	slow action 1NO+1NC BBM
SND4114-SL1- _R	SL1	↻	slow action 1NO+1NC MBB
SND4114-SL2- _R	SL2	↻	slow action 2NC

SND4118-R

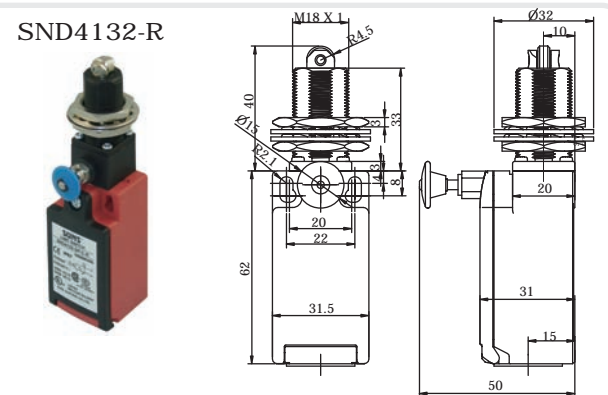


Order Code	Contact block		
SND4118-SP- _R	SP	↻	snap action 1NO+1NC
SND4118-SL- _R	SL	↻	slow action 1NO+1NC BBM
SND4118-SL1- _R	SL1	↻	slow action 1NO+1NC MBB
SND4118-SL2- _R	SL2	↻	slow action 2NC

GLOBAL STYLE SAFETY LIMIT SWITCHES (PLASTIC BODIED EN50047 TYPE) SND4 SERIES (SINGLE CONDUIT ENTRY WITH RESET)



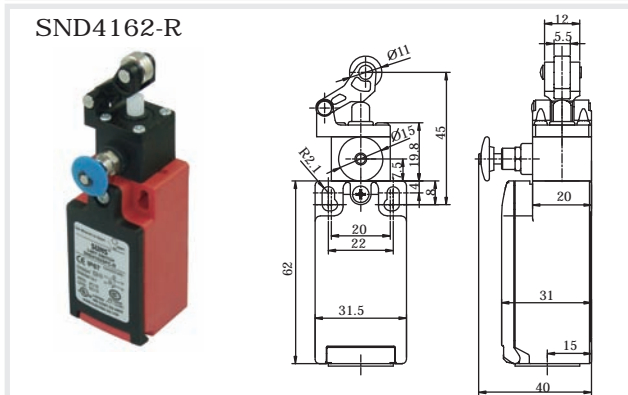
SND4131-R



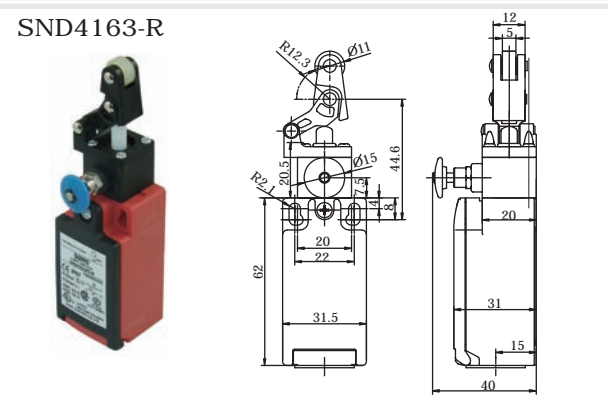
SND4132-R

Order Code	Contact block		
SND4131-SP- _R	SP	↻	snap action 1NO+1NC
SND4131-SL- _R	SL	↻	slow action 1NO+1NC BBM
SND4131-SL1- _R	SL1	↻	slow action 1NO+1NC MBB
SND4131-SL2- _R	SL2	↻	slow action 2NC

Order Code	Contact block		
SND4132-SP- _R	SP	↻	snap action 1NO+1NC
SND4132-SL- _R	SL	↻	slow action 1NO+1NC BBM
SND4132-SL1- _R	SL1	↻	slow action 1NO+1NC MBB
SND4132-SL2- _R	SL2	↻	slow action 2NC



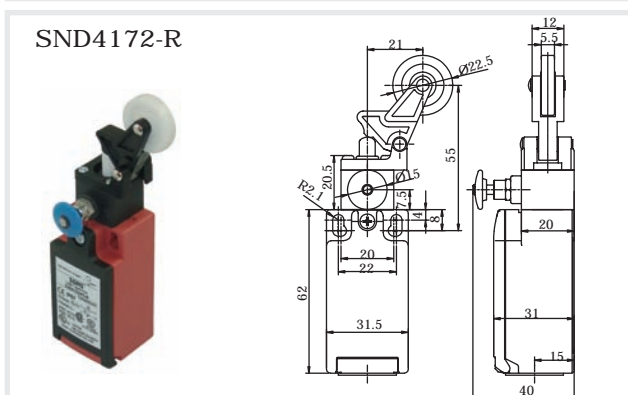
SND4162-R



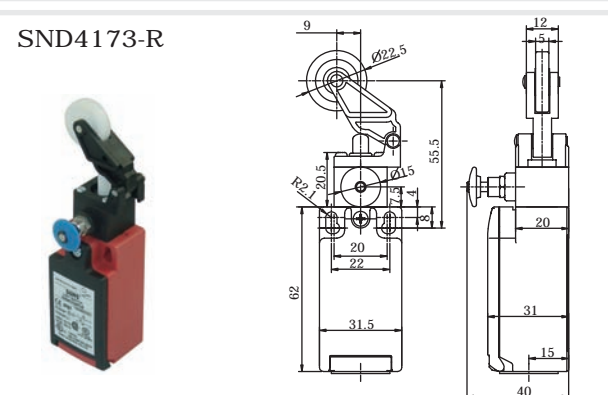
SND4163-R

Order Code	Contact block		
SND4162-SP- _R	SP	↻	snap action 1NO+1NC
SND4162-SL- _R	SL	↻	slow action 1NO+1NC BBM
SND4162-SL1- _R	SL1	↻	slow action 1NO+1NC MBB
SND4162-SL2- _R	SL2	↻	slow action 2NC

Order Code	Contact block		
SND4163-SP- _R	SP	↻	snap action 1NO+1NC
SND4163-SL- _R	SL	↻	slow action 1NO+1NC BBM
SND4163-SL1- _R	SL1	↻	slow action 1NO+1NC MBB
SND4163-SL2- _R	SL2	↻	slow action 2NC



SND4172-R



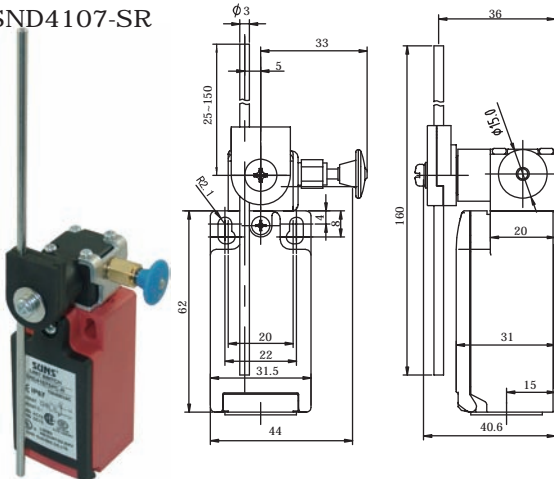
SND4173-R

Order Code	Contact block		
SND4172-SP- _R	SP	↻	snap action 1NO+1NC
SND4172-SL- _R	SL	↻	slow action 1NO+1NC BBM
SND4172-SL1- _R	SL1	↻	slow action 1NO+1NC MBB
SND4172-SL2- _R	SL2	↻	slow action 2NC

Order Code	Contact block		
SND4173-SP- _R	SP	↻	snap action 1NO+1NC
SND4173-SL- _R	SL	↻	slow action 1NO+1NC BBM
SND4173-SL1- _R	SL1	↻	slow action 1NO+1NC MBB
SND4173-SL2- _R	SL2	↻	slow action 2NC

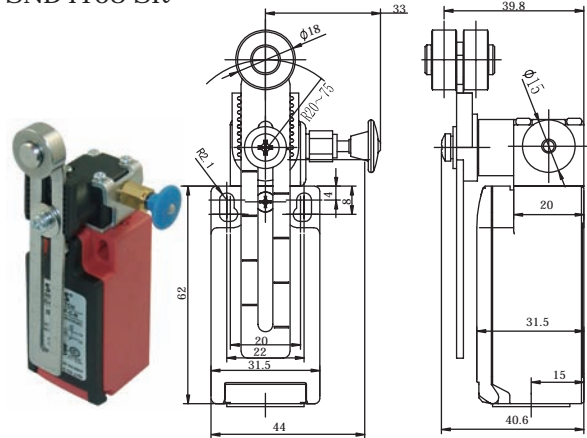
GLOBAL STYLE SAFETY LIMIT SWITCHES (PLASTIC BODIED EN50047 TYPE) SND4 SERIES (SINGLE CONDUIT ENTRY WITH RESET)

SND4107-SR



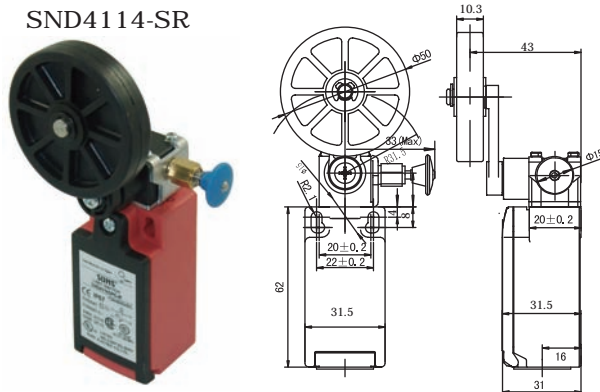
Order Code	Contact block		
SND4107-SP- _SR	SP	↻	snap action 1NO+1NC
SND4107-SL- _SR	SL	↻	slow action 1NO+1NC BBM
SND4107-SL1- _SR	SL1	↻	slow action 1NO+1NC MBB
SND4107-SL2- _SR	SL2	↻	slow action 2NC

SND4108-SR



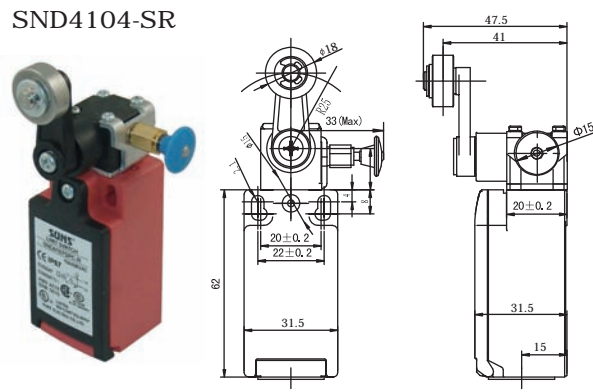
Order Code	Contact block		
SND4108-SP- _SR	SP	↻	snap action 1NO+1NC
SND4108-SL- _SR	SL	↻	slow action 1NO+1NC BBM
SND4108-SL1- _SR	SL1	↻	slow action 1NO+1NC MBB
SND4108-SL2- _SR	SL2	↻	slow action 2NC

SND4114-SR



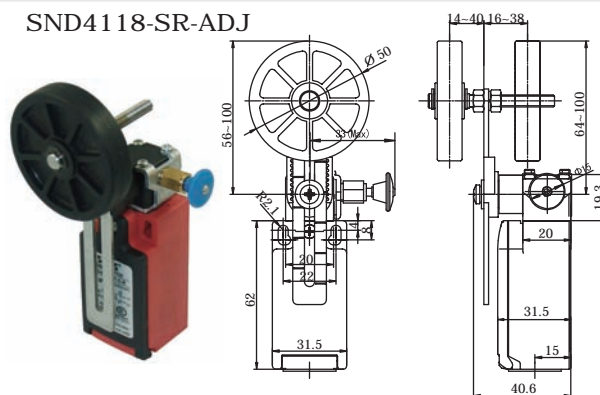
Order Code	Contact block		
SND4114-SP- _SR	SP	↻	snap action 1NO+1NC
SND4114-SL- _SR	SL	↻	slow action 1NO+1NC BBM
SND4114-SL1- _SR	SL1	↻	slow action 1NO+1NC MBB
SND4114-SL2- _SR	SL2	↻	slow action 2NC

SND4104-SR



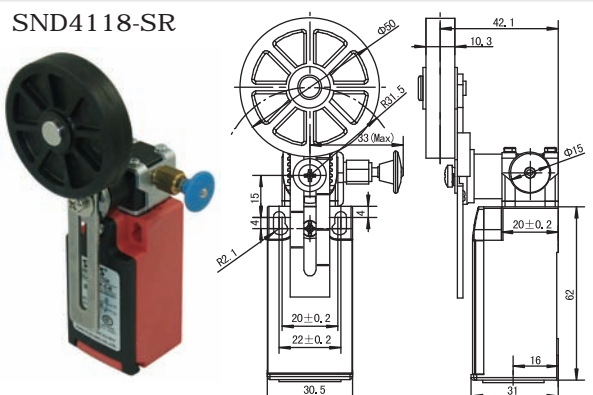
Order Code	Contact block		
SND4104-SP- _SR	SP	↻	snap action 1NO+1NC
SND4104-SL- _SR	SL	↻	slow action 1NO+1NC BBM
SND4104-SL1- _SR	SL1	↻	slow action 1NO+1NC MBB
SND4104-SL2- _SR	SL2	↻	slow action 2NC

SND4118-SR-ADJ



Order Code	Contact block		
SND4118-SP- SR-ADJ	SP	↻	snap action 1NO+1NC
SND4118-SL-SR-ADJ	SL	↻	slow action 1NO+1NC BBM
SND4118-SL1-SR-ADJ	SL1	↻	slow action 1NO+1NC MBB
SND4118-SL2-SR-ADJ	SL2	↻	slow action 2NC

SND4118-SR



Order Code	Contact block		
SND4118-SP- _SR	SP	↻	snap action 1NO+1NC
SND4118-SL- _SR	SL	↻	slow action 1NO+1NC BBM
SND4118-SL1- _SR	SL1	↻	slow action 1NO+1NC MBB
SND4118-SL2- _SR	SL2	↻	slow action 2NC

