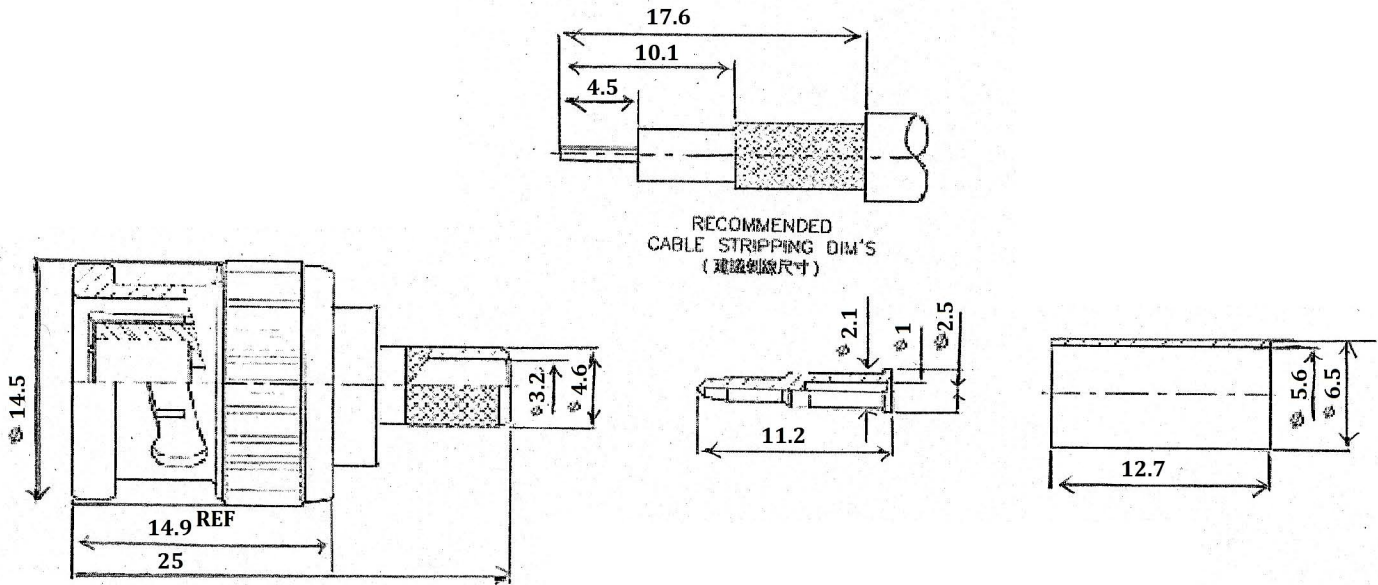


0.5 = +0.2
 5.30 = +0.4
 30-120 = +0.6
 120-315 = +1
 315-1000 = +1.6
 1000-2000 = +2.4



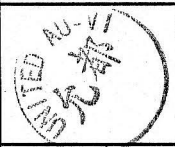
NOTES: FINISH (PLATING THICKNESS IN MICRO-INCHES)

1. BRASS PER QQ-B-626
2. NICKEL PL 70 MIN THICK OVER COPPER STRIKE
3. GOLD FLUSH OVER NICKEL PL. 70 MIN THICK OVER COPPER STRIKE
4. TEFLON MIL-P-19468
5. BRASS JIS H 325G, C 2700
6. ZINC DIECAST

1. CRIMPED FERRULE
 HEX CRIMP SIZE .213" (5.41mm)
 (套管壓接工具)
2. CRIMPED CONTACT PIN
 HEX CRIMP SIZE .088" (1.72mm)
 (中心針壓接工具)

RoHS COMPLIANT

APPROVED BY



UNITED AU-VI CO., LTD.

Description:

BNC MALE CRIMP FOR RG-55/U,142/U,223/U,400/U

Part No.:

V-7001/223-T



Date: 2018/04/04

File No 7011NS501ZU002B

FERRULE	NOTE5	NOTE2		
CONTACT PIN	NOTE1	NOTE3		
SHELL	NOTE6	NOTE2		
GASKET	SILICONE	RED		
WASHER	SS41	NOTE2		
SPRING	SK5	NOTE2		
WASHER	SS41	NOTE2		
INSULATOR	NOTE4	WHITE		
BODY	NOTE1	NOTE2		
NO.	DESCRIPTION	MATERIAL	FINISH	Q'TY