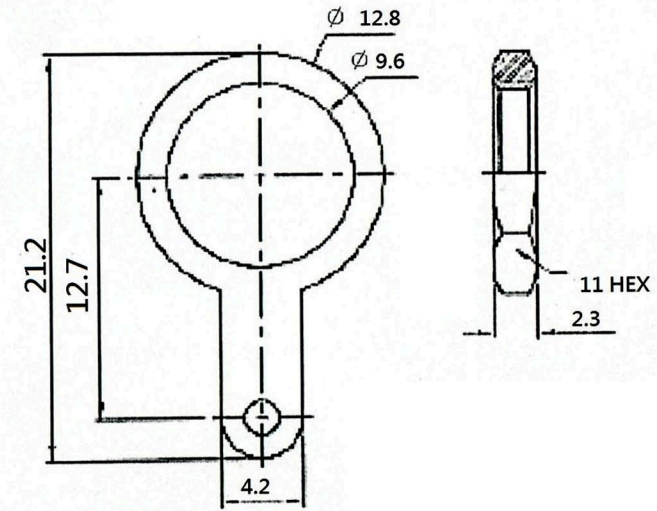
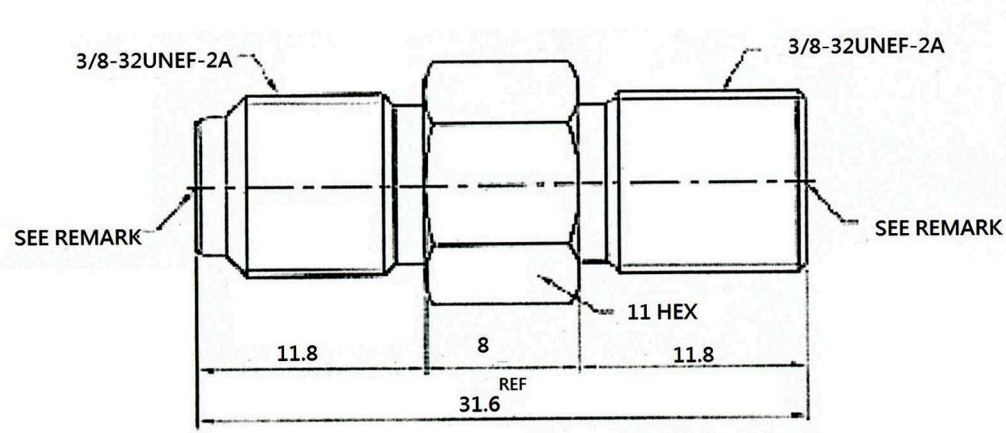


0.5-5 = +/- 0.2
 5-30 = +/- 0.4
 30-120 = +/- 0.6
 120-315 = +/- 1
 315-1000 = +/- 1.6
 1000-2000 = +/- 2.4

REMARK: ACCEPT ϕ 0.54~ ϕ 1.06 SOLID PIN
 (接受 ϕ 0.54~ ϕ 1.06 單芯的線心)



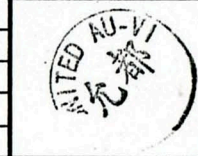
Note: FINISH (PLATING THICKNESS IN MICRO -INCHES)

1. BRASS PER QQ-B-625
2. NICKEL PL 70 MIN THICK OVER COPPER STRIKE
3. BRIGHT TIN PL 100 MIN THICK OVER NICKEL
PL 70 MIN THICK OVER COPPER STRIKE
4. PHOSPHOR BRONZE PER QQ-B-750

RoHS COMPLIANT

APPROVED BY :

UNITED AU-VI CO., LTD.



Description:

F DOUBLE FEMALE WITH WASHER & NUT

Part No.:

V-7242S



NO	DESCRIPTION	QTY	MATERIAL	FINISH
5	NUT		STEEL	NOTE2
4	WASHER		SS41	NOTE2
3	CONTACT PIN		NOTE4	TIN
2	INSULATOR		P.P	NATURAL
1	BODY		NOTE1	NOTE3

Date:

File No 7278AS700CR005B